

**SAND FILTERS
FILTRES À SABLE
FILTROS DE ARENA
FILTRI DI SABBIA
SANDFILTER
FILTROS DE AREIA
FILTRY Z PIASKU – FILTRY ZWOJONE**



**INSTRUCTIONS AND OPERATION MANUAL
MANUAL D'INSTRUCTIONS ET DE FONCTIONNEMENT
MANUAL DE INSTRUCCIONES Y FUNCIONAMIENTO
MANUALE DI ISTRUZIONI E FUNZIONAMENTO
ANWEISUNGEN- UND OPERATIONSHANDBUCH
MANUAL DE INSTRUÇÕES E FUNCIONAMENTO
INSTRUKCJA OBSŁUGI I DZIAŁANIA**

IMPORTANT: The instruction manual that you have in your hands contains fundamental information on the necessary security measures which need to be adhered to when installing and commissioning the filter. It is therefore essential that both the installation engineer and the end user read these instructions before proceeding any further.

"In order to archive optimum performance from your filter, please see the following instructions".

1. CHECK THE PACKAGING

Check that the filter and all its components are in good condition after transportation. There is a box with the filter, which contains pressure gauges, along with other accessories. There will also be a guarantee and test certificate.

2. GENERAL SPECIFICATIONS

Filters are the most important part of a water filtration system, and their function is to remove suspended solids and clarify the water.

The effect of correct filtration will influence the results of disinfectant process.

The principle of filtration involves retaining the suspended particles that the water tries to carry with it through the filter sand bed.

The water treatment process involves a range of equipment besides filters, such as; pumps, chemical dosing, pool shell fittings, which ensure the correct suction and return of water, which with the rest of the equipment ensures the correct circulation and maintenance of the water quality.

Whilst standards are approaching homologation throughout Europe, each country normally has its own standards, regulations or recommendations governing private and public pools, and installers should adhere to these when designing and installing any system. All designs and all materials used must meet the relevant standards.

The filtration quality may depend on different factors: Design of the filter, type of collector used - collectors or nozzles, media bed depth, specifications and density of the filtering material, etc. At the same time the filtration velocity is a determining factor when seeking good quality filtration and a velocity of no more than 40 m/h is recommended.

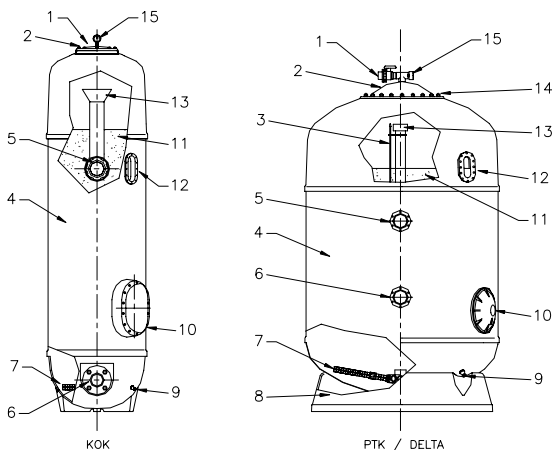
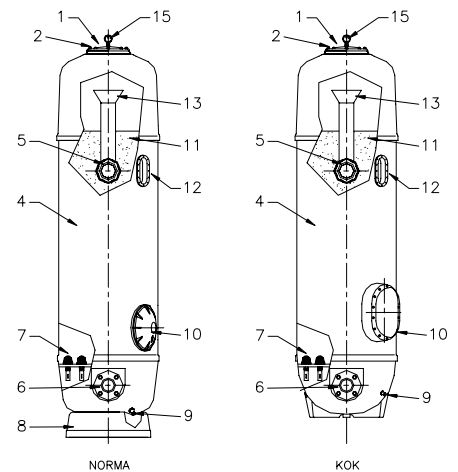
Filters are manufactured from polyester resin and glass fibre materials, which have excellent anticorrosive properties. The interior includes a collector and diffuser made from PVC and PP plastic. They are also resistant to salt water.

The special layer of isophthalic resin on the interior of the filter gives it maximum durability against wear and tear and abrasion. Filters may also be manufactured on request with a lining, which is resistant to most chemicals including ozone.

3. IDENTIFICATION OF COMPONENTS

According to the model, the components might change in size or position or could not be present.

- 1. Air relief valve.
- 2. Lid for addition of media, and inspection
- 3. Air relief
- 4. Reinforced polyester and fibre glass tank
- 5. Dirty water inlet
- 6. Clean water outlet
- 7. Water collector system (collector arms or nozzles)
- 8. Reinforced polyester and fibre glass base
- 9. Sand discharge cap and water drainage
- 10. Assembly lid
- 11. Filtration media
- 12. Sight glass
- 13. Water diffuser system
- 14. Eyebolt to transport the filter (only for use when the filter is empty)
- 15. Pressure gauge



Collector arms

Nozzles

4. IDENTIFICATION OF COMPONENTS

In order to achieve successful installation it is important to consider the following points:

- In order to backwash the filter, the system of pumps and filters must combine to obtain the necessary flow, which can be from 40 - 50m/h lateral models, and up to 60 m/h for nozzle plate models.
- To scour the filter with air (nozzle plate models or models with double laterals) it will use one or more air blower or capable of supplying air at a velocity of 60 m/h at 300 mbar. Never use a compressor because damage could occur due to excessive pressure.
- It is advised to install the filters below the level of, and as close to the pool as possible.
- The plant room where the filters are installed should be well ventilated and have the necessary drainage channels available to allow escape of water, should a pipe, filter or pump leak in the case of an accident, preventing damage to any equipment. If it is not possible to install such drainage measures, then an alternative automated system (e.g. submersible pumps) should be installed for water removal.

5. INSTALATION

Filters are delivered packaged and palletted, due to their weight and volume. This can make them difficult to manoeuvre around the building site and to install therefore it is recommended to transport them by fork lift, crane etc.

Filters are made of plastic, and although they are designed to resist internal pressure, they can be susceptible to external damage. It is important to ensure that the filter does not receive any external knocks during installation or operation that could damage the base, the tank or any connections.

Always use suitable plastic connections and ensure they are fitted with suitable supports and are not forced, or under stress.

The media must only be loaded once the filter is placed in its final position, following the instructions stated at the "Starting up" paragraph.

Filters, like other items of the facility, will need regular checks, so it is essential to leave a suitable working clearance above and around the filter. (Fig. 1)

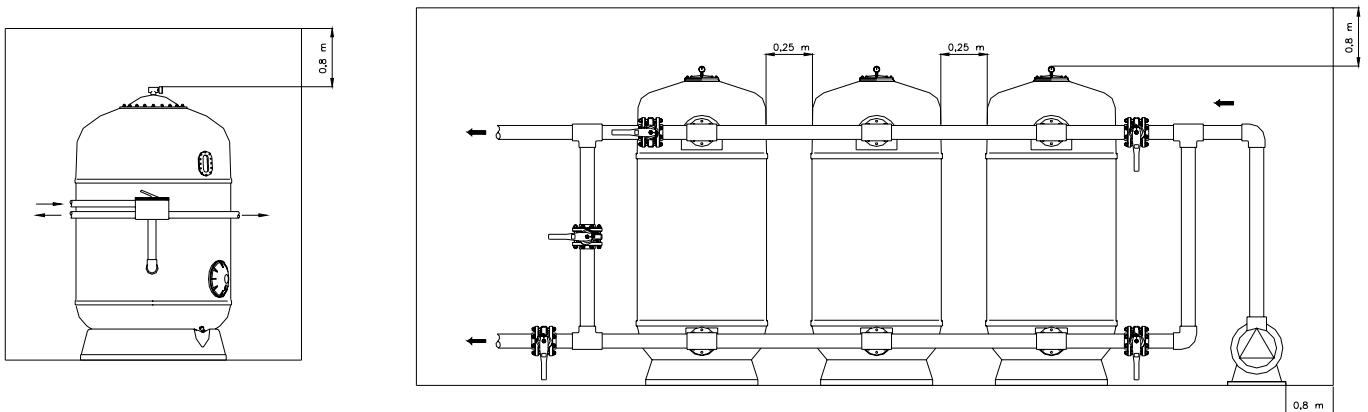


Fig. 1

Correct installation of the filters:

- Place the filters in their designated position, and ensure that they are stable and the floor is perfectly flat. (Fig. 2)
- Assemble the valves on the filters, ensuring they are not stressed. Remember that the water-tightness of the unions is achieved with seals and gaskets, so do not over tighten the bolts. Do not use Teflon (PTFE) tape.
- Install adequate battery/pipe supports and adjust their height accordingly.
- Connect the valves to the pump discharge pipes, the return pipes to the pool and to the waste drain.

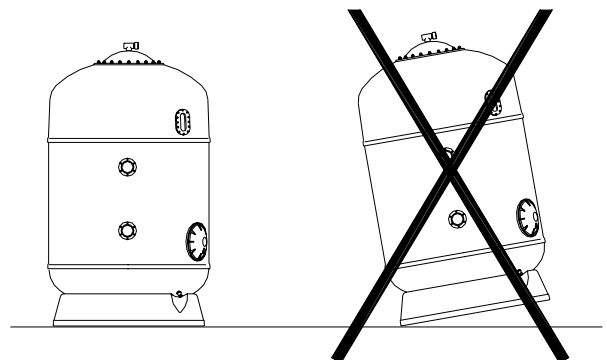


Fig. 2

5.1 INSTALATION OF THE PRESSURE GAUGES (Fig 3)

It is recommended to install a pressure gauge at the filter outlet.

The pressure gauges indicate when it is necessary to backwash the filter. For example, in a clean filter the entrance pressure should be between 0,8 and 1 kg/cm² and the outlet pressure should be between 0,4 and 0,6 kg/cm².

When the pressure difference between the inlet and the outlet is higher than 0,8kg/cm², then it is time to backwash the filter.



Fig. 3

6. STARTING UP

- Remove the lid of the filter trying not to damage the joints or the surrounding area around the lid.
- Check that all the filter components are in good condition and ensure that the laterals or the nozzles on the plate are secure, as they may have come loose or been damaged in transit.
- Fill the filter approximately half full of water.
- Introduce the sand, ensuring you first pour in a support layer, enough to cover the groove of the laterals or nozzle plate, covering them by approx. 10cm. This should be done very carefully so as not to damage any internal components. Whilst filling the filter with sand ensure that you distribute the sand evenly over the whole surface area.
- Introduce the desired sand size, up to the maximum filtration height limit, which should leave a distance between the sand level and the diffuses of around 25% the filter bed height.
- Carefully clean the filter neck, the seal and the lid before proceeding with the assembly. It is also advised to grease the screws before putting in the nuts.
- Close the filter placing the seal in its correct position.
- Once the filter is full and properly Closed, it is necessary to backwash the filter. To do this, follow the instructions in the section labelled 'backwash'.

7. WORKING CYCLES

7.1 FILTRATION (Fig 4)

With the pump stopped set the valves to the position labelled filtration.

During the filter's normal operation, it is recommended to periodically check the pressure gauge and carry out a backwash when the difference in pressure is equal to or more than 0,8 kg/cm².

As the filter gets dirty during its use, the entrance experiences an increase in pressure at the same time as the exit shows a fall in working pressure.

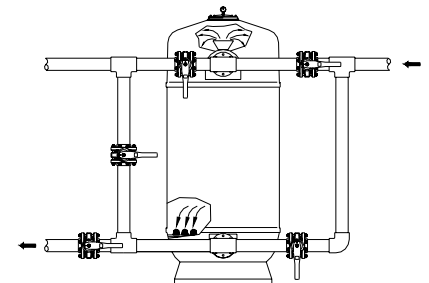


Fig. 4

7.2 BACKWASH (Fig 5)

The bed of sand inside the filter forms thousands of channels through which the water flows and logically they collect impurities and solid deposits that the water brings with it to the filter. In time these deposits block the channels and it is periodically necessary to clean the filter to leave it in optimum working condition and drain the dirt that had collected.

It is recommended to backwash with water for 7 minutes at a speed of 40-50 m³/h/m².

It is advised to place a sight glass in the drainage pipework so that during the backwash you can see the dirt leaving the filter and in this way determine the duration of the backwash needed.

To carry out a backwash cycle, ALWAYS WITH THE PUMP SWITCHED OFF, set the valves to the backwash position indicated on the template.

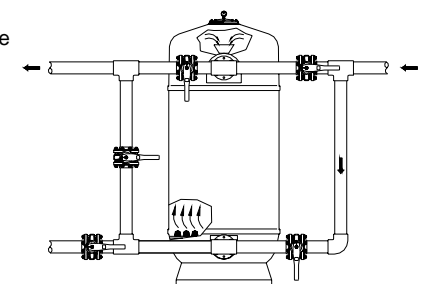


Fig. 5

7.2.1 BACKWASH WITH AIR AND WATER (ONLY FOR FILTERS WITH NOZZLE PLATES OR DOUBLE LATERALS)

Air is used to dislodge and agitate the sand bed. This makes the backwash process more efficient in less time and saves a substantial amount of water.

This process is carried out in three phases:

1. Inject air at a speed of approx. 60 m/h
2. Inject water at a speed of approx. 50 m/h
3. Inject water and air at a speed of no more than approx. 50 m/h

7.3 RINSING (Fig 6)

This operation is recommended straight after the backwash, in order to expel any remaining deposits that had penetrated the collectors during the backwash cycle.

This operation should last approx. 3 minutes and prevents cloudy water returning to the pool.

To carry out this operation set the valves to the rinse position (ALWAYS WITH THE PUMP SWITCHED OFF) and immediately afterwards reset the valves to the filter setting.

The rinse position can only be applied if the battery has 5 valves.

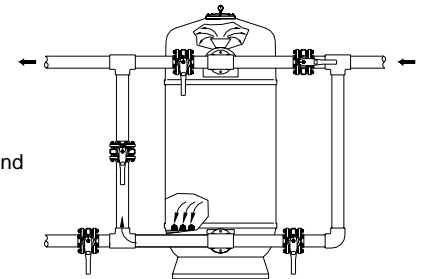


Fig. 6

7.4 DRAIN (Fig 7)

When it is necessary to empty the pool and in the case of not having the drainage connected directly to the mains sewer system, you can empty it using the filter pump by positioning the valves to the 'drain' section on the template.

To do this and before commencing, the skimmer, overflow channel and pool cleaner valves must be Closed.

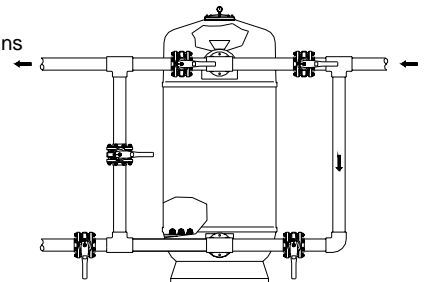


Fig. 7

7.5 CLOSED

As the name indicates all the battery valves are Closed.

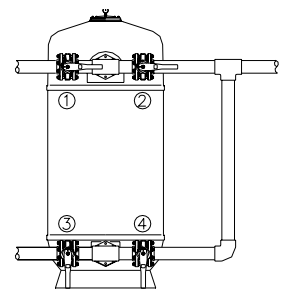
This operation is used when cleaning or maintenance work is carried out on the filter or pre-filter, etc.

8. VALVE BATTERIES. VALVE POSITION IN EACH OPERATION.

8.1 BATTERIES WITH 4 VALVES

Template of operations for batteries with 4 valves:

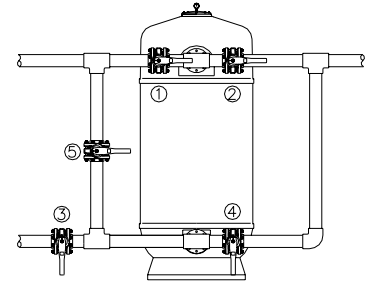
POSITION	1	2	3	4
FILTRATION	Closed	Opened	Opened	Closed
BACKWASH	Opened	Closed	Closed	Opened
DRAIN	Opened	Opened	Closed	Closed
CLOSED	Closed	Closed	Closed	Closed



8.2 BATTERIES WITH 5 VALVES

Template of operations for batteries with 5 valves:

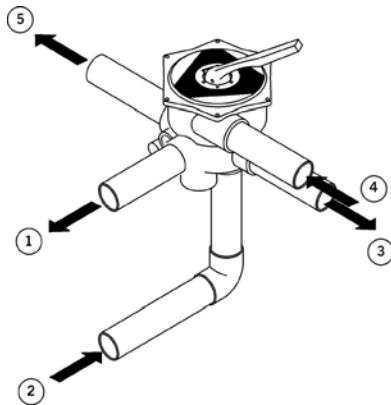
POSITION	1	2	3	4	5
FILTRATION	Closed	Opened	Opened	Closed	Closed
BACKWASH	Opened	Closed	Closed	Opened	Closed
RISING	Closed	Opened	Closed	Closed	Opened
DRAIN	Opened	Opened	Closed	Closed	Closed
CLOSED	Closed	Closed	Closed	Closed	Closed



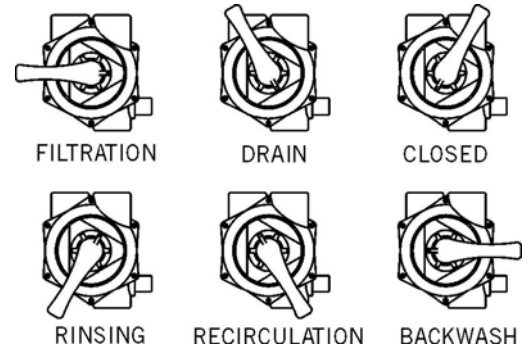
Note: To carry out any operation indicated on the template, the pump must be OFF.

8.3 SELECTOR VALVE

Each operating procedure depends on the position of the multiport valve handle, as it is indicated.



1. Water inlet to filter
2. Water outlet from filter
3. Return to pool – with no circulation through the filter
4. From pump
5. To drain



Warning: The handle position of the selector valve should not be changed with the water pump functioning.

9. DRAINING THE SAND FROM THE FILTER

When you need to drain the sand, due to an accident or because you want to change the sand due to wear and tear, follow the following steps:

1. Drain the water from the filter
2. Drain the sand from the filter
3. To fill the filter with sand again, follow the instructions for 'Starting Up'

Use the time the filter is empty to check all the internal components, most importantly the laterals or nozzles and replace any that are damaged.

10. OTHER RECOMMENDATIONS

The interior assembly, the number of laterals and diffusers, varies depending on the size and type of filter. The diffusers function is to distribute the water in the most even way possible over the filtration bed. The laterals function is to collect the water once filtrated and channel it to the exit of the filter.

Each filter is equipped with a manual air drain valve in the upper part of the filter. Likewise, all filters have a manual water drain valve in the lower part of the filter.

Once the swimming pool installation is complete, it is recommended to give the filter a good clean with pressurised water in order to remove all dust and dirt accumulated during construction or installation.

If the installation is likely to be left for a long period of time without being used, it is advisable to drain the filter of water.

The filters located outdoors could loose colour intensity or external brightness, this is caused by the sun radiation and for this reason it is recommended to place them out of the direct reach of the sun.

11. MAINTENANCE

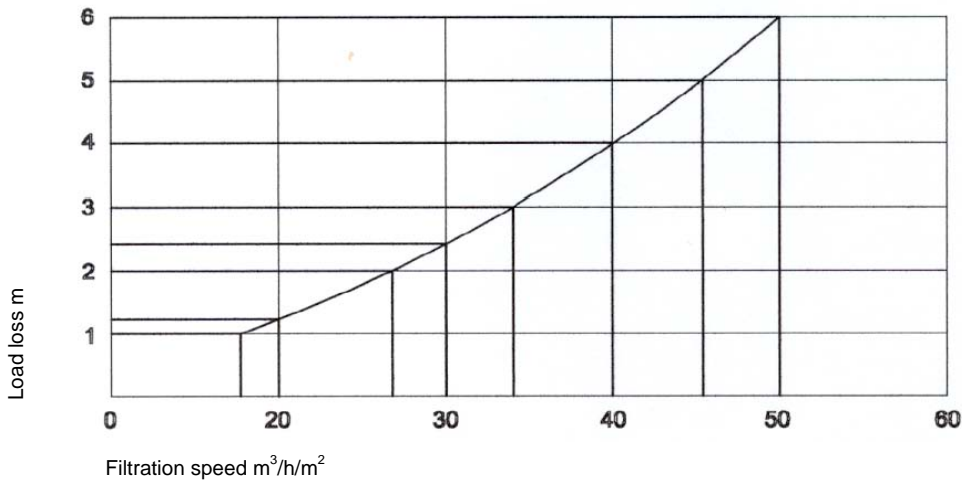
A regular and thorough clean is necessary for the maintenance of your pool, in the long term this will save time, the equipment will last longer and the water will be of a better quality.

For the correct maintenance of the filtration equipment (pump, valves, etc..) follow the manufacturers instructions. Periodically inspect the filter media and all the filter components (diffusers, laterals, air and water drain valves, pipes, seals etc..) including the polyester tank, replacing or repairing any damaged parts

Periodically clean the filter with pressurised water to remove dust accumulated over time. Do not use solvents that could damage the plastic parts or the sight glass.

If you close the pool in winter adequately drain the equipment to prevent any damage from ice.

12. TABLE HEAD LOSS FROM SAND FILTERS WITH VALVE BATTERIES



13. SAFETY WARNINGS

Switch off the pump before operating any valve.

Do not connect the filter directly to the drinking water mains as the pressure can rise and exceed the maximum authorised working pressure of the filter.

Remember that it is very important to install the supports of the valves to prevent any filter connection from breaking.

The filters are designed to be highly resistant to internal pressure, but at the same time they are very susceptible to exterior knocks.

If the facility has more than one filter installed on the same battery there should be a valve on each of the connections to allow the filter to be completely isolated.

Under no circumstances should you exceed the maximum working pressure, indicated on the filter characteristics plate.

The filters are not designed to support internal vacuum pressure; therefore this situation should be avoided.

14. POSSIBLE FAULTS

PROBLEM	CAUSE	SOLUTION
No filtered water flowing	The filter is dirty. The collecting basket is covered.	Start backwash. Clean the collecting basket.
You observe characters in the sand bed	Formation of preferential channels, lack or backwash or broken collector	Start a backwash. Drain the sand and check if the collector is defective. Replace the collector is defective. Replace the sand.
Pressure gauge oscillates violently	The pump is impelling air Suction half Closed	Check the whole installation and eliminate possible leaks Check the suction valves are completely open
Sand is entering the pool from the filter	There is something broken in the collector system	Repair the collector system
Sand is escaping to the drain during backwash	Excessive water flow during backwash or excessive sand level	Reduce the flow rate during backwash or reduce the sand level

IMPORTANT: Ce manuel d'entretien contient des informations essentielles concernant les mesures de sécurité à adopter lors de l'installation et de la mise en service. Pour cela, il est important que l'installateur et l'utilisateur prennent connaissance de l'ensemble des instructions avant de passer à l'installation et à la mise en route.

“Pour obtenir le meilleur rendement du filtre, veuillez suivre scrupuleusement les instructions indiquées ci-après.”

1. VERIFICATION DE L'EMBALLAGE

Vérifier que le filtre et tous ses composants sont en bon état et qu'ils n'ont pas été endommagés par le transport. Vous trouverez, joints au filtre, le manomètre et autres accessoires auxiliaires cités dans ce manuel, ainsi que la documentation nécessaire, la garantie et le certificat d'essai.

2. GENERAL SPECIFICATIONS

Les filtres sont sans doute les éléments les plus importants de la filtration de l'eau. Ils ont pour but d'éliminer les matières en suspension et de rendre l'eau claire.

L'efficacité d'une filtration correcte conditionne les résultats du traitement désinfectant.

Le principe physique de la filtration consiste à retenir les particules en suspension apportée par l'eau durant son passage au travers de la couche filtrante de sable.

Le processus de filtration et de désinfection de l'eau, comprend toute une variété d'éléments à prendre en compte comme les filtres, les pompes, le traitement chimique de l'eau, pièces à sceller pour assurer le retour et l'aspiration de l'eau, tout comme les éléments capables d'assurer une circulation correcte et un entretien parfait de l'eau.

Chaque pays dispose de normes précises pour piscines publiques et privées, les installateurs devront donc s'y conformer avant de concevoir toute installation.

La qualité de filtration dépend de plusieurs paramètres : conception et forme du filtre, type de collecteur d'eau par bras collecteur ou plaque de crépines, hauteur filtrante, caractéristiques et granulométrie de la masse filtrante, etc.... Ainsi, la vitesse de filtration est une caractéristique déterminante pour l'obtention d'une bonne qualité de filtration et il est d'ailleurs recommandé de ne jamais dépasser 40 m/h.

Les filtres sont fabriqués en résine de polyester et filtre de verre, matériaux qui leur confèrent la propriété d'être totalement anticorrosifs sous l'action de l'eau de piscine. A l'intérieur du filtre, se trouvent un collecteur et un diffuseur en matériau plastique inaltérable (PVC et PP). Ces pièces résistent également à l'action de l'eau sale.

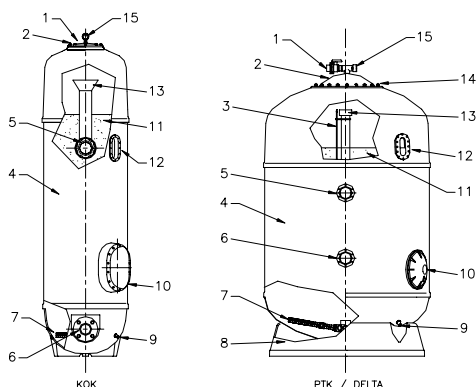
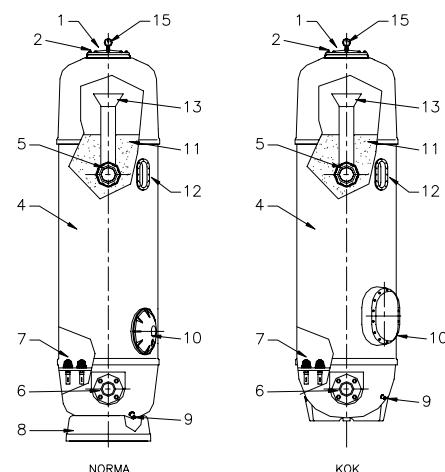
Le revêtement intérieur de la paroi du filtre lui confère une résistance élevée à l'usure et à l'abrasion tout en lui permettant d'emmagasiner l'eau potable.

Nous pouvons également fournir sur commande un revêtement de haute résistance chimique.

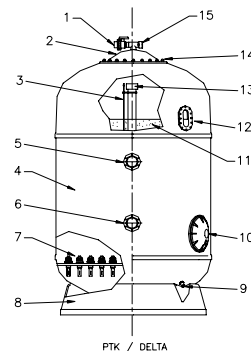
3. IDENTIFICATION DES COMPOSANTS

Selon le modèle du filtre, les composants du filtre peuvent changer en dimensions où en position sur le filtre, ou bien ne pas être présents.

1. Purge d'air manuelle
2. Couvercle, bouche de remplissage de sable et d'inspection
3. Purge d'air
4. Corps du filtre en polyester renforcé en fibre de verre
5. Raccordement d'entrée eau souillée
6. Raccordement d'entrée eau propre
7. Système collecteur par bras ou crépines
8. Socle en polyester renforcé fibre de verre
9. Bouche d'évacuation de sable et purge d'eau
10. Bouche latérale
11. Media filtrant
12. Hublot de contrôle
13. Système de diffusion de l'eau
14. Anneaux de levage pour le transport et la manipulation du filtre (à utiliser avec le filtre vide)
15. Manomètre



Bras collecteurs



Crépines

4. CARACTERISTIQUES DE L'INSTALLATION

Pour effectuer une installation correcte il est recommandé de prendre en compte les conseils suivants:

- Il est préférable d'installer un nombre de pompes équivalent au nombre de filtres. Chacune d'elle comportant le débit nécessaire pour assurer la vitesse de filtration désirée.
- Veillez à ce que le refoulement de chaque pompe soit raccordé à un collecteur général dans un refoulement se dirigeant vers les filtres. Ainsi, lorsque les filtres filtrent l'eau de l'installation, toutes les pompes sont mises en oeuvre.
- Pour effectuer le lavage à l'eau du filtre, il faudra combiner pompe et filtre afin d'obtenir le débit de lavage nécessaire en prenant en compte le fait que la vitesse de lavage peut être de $40\text{m}^3/\text{h}/\text{m}^2$ (pour modèles à bras collecteurs) à $60\text{m}^3/\text{h}/\text{m}^2$ (pour modèles à crépines).
- Pour effectuer le lavage à l'air du filtre (modèles à crépines ou double collecteurs) on utilisera une ou plusieurs pompes turbosoufflantes capables de répartir le débit d'air nécessaire pour laver à une vitesse de $60\text{m}^3/\text{h}/\text{m}^2$ à 300 mbar. Ne jamais utiliser de compresseur, l'excès de pression endommagerait le filtre. Grâce à ce montage, nous éliminons le besoin d'installer des pompes qui seraient exclusivement destinées au lavage des filtres.
- Il est recommandé d'installer les filtres en dessous du niveau de remplissage de la piscine et le plus près possible du bassin.
- Il est préférable que le local technique dans lequel seront installés les filtres soit muni de ventilations et de vidanges adaptées, afin qu'en cas d'accident l'eau puisse s'écouler et être évacuée sans risque d'endommager les installations existantes (pompes, armoires électriques, etc...). Si pour une quelconque raison, il n'était pas possible de disposer de moyens de vidange efficaces, il serait nécessaire d'installer une pompe de relevage automatique afin d'évacuer l'eau du local.
- L'installation des filtres se fera de manière à ce que leur socle soit totalement en appui sur le sol et sur un plan parfaitement horizontal.
- Une fois l'installation terminée et avant de mettre le sable à l'intérieur du filtre, procéder à des essais en pression afin de s'assurer de la bonne étanchéité de toute l'installation.

5. INSTALLATION

Les filtres sont livrés emballés, et compte-tenu de leur poids, de leur taille et des difficultés existantes lors de l'installation sur le chantier, il est recommandé de les manipuler avec des engins spécialisés (chariot élévateur, grues...).

Il est très important de vous assurer que les filtres n'ont reçus aucun coup qui auraient pu endommager le socle ou la cuve en polyester durant le transport ou le déchargement.

Pour les raccords, toujours utiliser des accessoires en matière plastique (PVC, PP ...) et éviter toute force qui pourrait s'exercer sur ceux-ci.

Le sable devra être mis dans le filtre une fois que celui-ci aura été définitivement installé et en suivant les étapes du paragraphe «MISE EN MARCHÉ».

Les filtres requérant des révisions périodiques et en prévision d'éventuelles interventions, il est impératif de laisser un minimum d'espace libre autour et au-dessus des filtres. Il est impératif de pouvoir pénétrer dans le filtre sans démonter l'installation. (fig. 1)

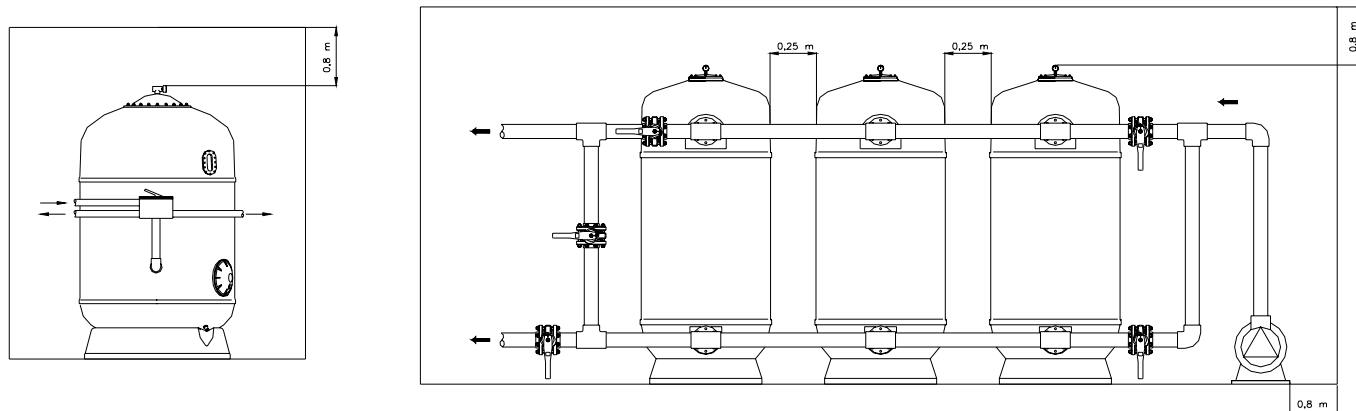


Fig. 1

Les phases à suivre pour une installation correcte sont:

- Installer les filtres sur leur emplacement définitif. Le socle sera posé au sol en position parfaite et sur un plan totalement horizontal. (fig. 2)
- Monter correctement les vannes sur les filtres en évitant toute force extérieure qui pourrait s'exercer sur celles-ci. L'étanchéité des raccords-union devra être réalisée au moyen de joints, pour cela, il n'est pas nécessaire de les serrer trop fort. Ne pas utiliser de téflon.
- Installer les supports de batteries adéquats et les régler correctement (hauteur etc.)
- Raccorder les vannes avec les tuyauteries de refoulement des pompes, la tuyauterie de retour vers la piscine et la tuyauterie de vidange.

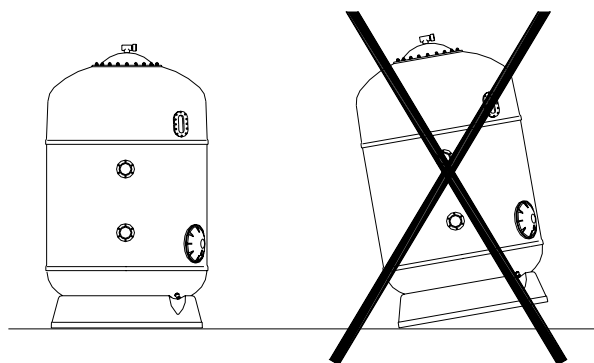


Fig. 2

5.1 INSTALLATION DES MANOMETRES (Fig. 3)

Il est conseillé d'installer un manomètre à la sortie du filtre.

Les manomètres indiquent lorsqu'il est nécessaire de réaliser un lavage du filtre. Par exemple, sur un filtre propre la pression d'entrée signalée oscille entre 0,8 et 1 kg/cm² et la pression de sortie entre 0,4 et 0,6 kg/cm². Si la pression différentielle est de 0,8 kg/cm² il est nécessaire d'effectuer un lavage du filtre.



Fig. 3

6. MISE EN MARCHE

Pour un remplissage correct des filtres, il est recommandé de:

- Retirer le couvercle du filtre en évitant d'endommager le joint et la surface d'appui du couvercle.
- Vérifier que tous les composants du filtre (bras collecteurs ou crépines etc.) sont en bon état et parfaitement en place car ils auraient pu être endommagés ou desserrés durant le transport.
- Remplir le filtre d'eau jusqu'à sa moitié
- Introduire tout d'abord le sable (couche de support d'une taille supérieure à la rainure des bras collecteurs) jusqu'à couvrir les bras collecteurs (approximativement 10 cm). Ces opérations doivent être effectuées avec beaucoup de précautions pour ne pas abîmer les composants situés dans le filtre. Au fur et à mesure que le filtre se remplit de sable, le répartir sur toute la surface du filtre.
- Introduire le sable jusqu'à la limite maximale de la hauteur filtrante (la distance entre la partie supérieure de la couche filtrante et les sorties des diffuseurs doit correspondre à 25% de la hauteur filtrante (au minimum).
- Nettoyer scrupuleusement la surface du col du filtre, le joint et le couvercle avant de procéder au montage. Il est également conseillé de graisser les tiges filetées avant de placer les écrous.
- Fermer le filtre en remettant le joint correctement et en positionnant délicatement le couvercle pour ne pas déplacer le joint.
- Une fois le filtre rempli et convenablement fermé, il faut effectuer un lavage.

7. CYCLES DE FONCTIONNEMENT

7.1 FILTRATION (Fig. 4)

Dès l'arrêt de la pompe, mettre les vannes en position filtration.

Lors du fonctionnement du filtre, observer périodiquement le manomètre. Lorsque la différence de pression est supérieure ou égale à 0,8-1 kg/cm² il est nécessaire d'effectuer un lavage du filtre.

Au fur et à mesure que la couche filtrante s'encrasse, l'entrée subit une augmentation de pression tandis que la sortie note une réduction de sa pression de travail.

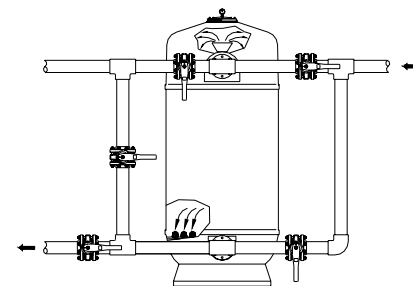


Fig. 4

7.2 LAVAGE (Fig. 5)

La charge de sable (couche filtrante) forme des milliers de canaux, qui recueillent les impuretés et résidus solides présents dans l'eau à filtrer. Avec le temps, ces résidus bloquent les canaux, c'est pourquoi il est nécessaire de nettoyer périodiquement le filtre pour lui permettre de fonctionner dans des conditions optimales et lui faire vidanger les impuretés présentes dans la couche filtrante. Il est recommandé d'effectuer un lavage par eau durant 7 minutes à une vitesse comprise entre 40 et 50 m³/h/m².

Il est conseillé d'installer une manchette transparente sur la tuyauterie de vidange, de manière à observer le degré de saleté de l'eau lors de la vidange et de pouvoir ainsi déterminer la durée du lavage.

Pour effectuer le lavage, et toujours AVEC LA POMPE ARRETEE, placer les vannes sur les positions de lavage avec eau et lavage avec air comme l'indique le tableau.

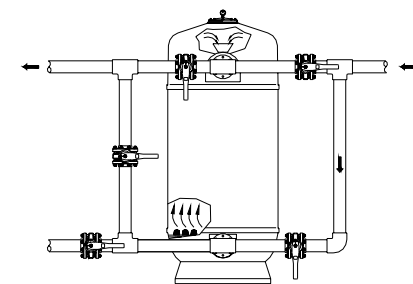


Fig. 5

7.2.1 LAVAGE PAR AIR ET EAU (SEULEMENT POUR FILTRES A CREPINES OU DOUBLE COLLECTEUR)

L'air est utilisé pour obtenir un déplacement de la couche filtrante et simuler une ébullition de celle-ci. Ceci rend le lavage plus efficace en un minimum de temps et permet une économie d'eau substantielle.

Ce processus se déroule en 3 phases:

1. Injection d'air à une vitesse approximative de 60 m³/h
2. Injection d'eau à une vitesse approximative de 50 m³/h
3. Injection d'eau et d'air à une vitesse approximative inférieure à 50 m³/h

7.3 RINÇAGE (Fig.6)

Opération recommandée immédiatement après le lavage, dont l'objet est d'expulser à l'égout les derniers résidus qui pourraient encore se trouver dans les collecteurs après la phase de lavage.

Cette opération doit être réalisée toutes les 3 minutes approximativement. Elle évitera que l'eau trouble n'arrive jusqu'à la piscine.

Pour effectuer cette opération, placer les vannes sur la position indiquée sur le tableau (POMPE TOUJOURS ARRÊTÉE) puis immédiatement après, placer les vannes en position filtration.

La position de rinçage n'est possible que si votre collecteur est un collecteur à 5 vannes ou vous avez une vanne multivoie.

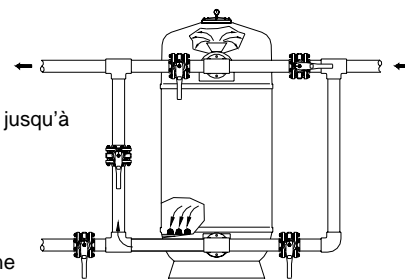


Fig. 6

7.4 VIDANGE (Fig.7)

Avant toute vidange, il faut que les vannes des skimmers, des goulottes de débordement et d'aspirateur soient fermées.

Lorsqu'il sera nécessaire de vidanger l'installation et au cas où elle ne disposerait pas d'une vidange gravitaire, il sera possible d'utiliser la pompe de filtration en positionnant les vannes du collecteur comme indiqué sur le tableau.

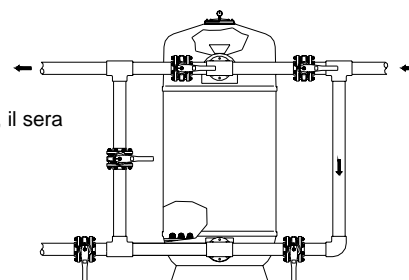


Fig. 7

7.5 FERMETURE

Comme son nom l'indique, dans cette position, toutes les vannes de la batterie sont fermées.

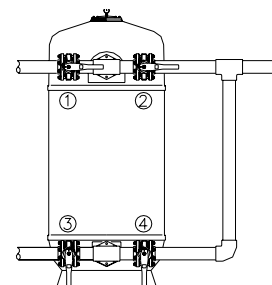
Cette opération est utilisée lors de l'entretien du filtre, nettoyage du pré filtre etc.

8. VALVE BATTERIES DE VANNES. POSITION POUR CHAQUE OPERATION.

8.1 BATTERIE DE 4 VANNES

Tableau de manœuvre pour batteries de 4 vannes:

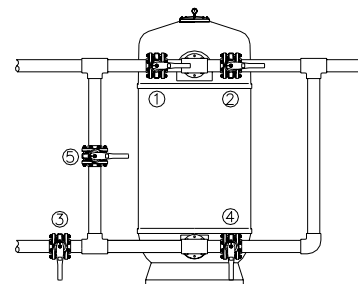
POSITION	1	2	3	4
FILTRAGE	Fermée	Ouverte	Ouverte	Fermée
LAVAGE	Ouverte	Fermée	Fermée	Ouverte
VIDANGE	Ouverte	Ouverte	Fermée	Fermée
FERMETURE	Fermée	Fermée	Fermée	Fermée



8.2 BATTERIE DE 5 VANNES

Tableau de manœuvre pour batterie de 5 vannes:

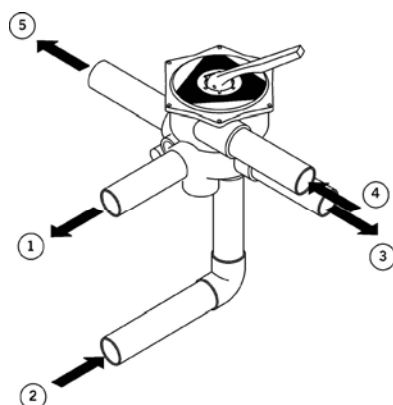
POSITION	1	2	3	4	5
FILTRAGE	Fermée	Ouverte	Ouverte	Fermée	Fermée
LAVAGE	Ouverte	Fermée	Fermée	Ouverte	Fermée
RINÇAGE	Fermée	Ouverte	Fermée	Fermée	Ouverte
VIDANGE	Ouverte	Ouverte	Fermée	Fermée	Fermée
FERMETURE	Fermée	Fermée	Fermée	Fermée	Fermée



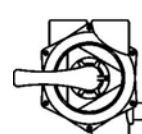
ATTENTION : Toute manipulation de vanne doit se faire POMPE ARRETEE.

8.3 VANNE MULTIVOIES

Dans cette sorte de vanne, chaque position du commandement correspond à une opération différente:



1. Entrée au filtre
2. Sortie du filtre
3. Retour à la piscine sans passer par le filtre
4. De la pompe
5. Vers la pompe



FILTRAGE



VIDANGE



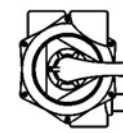
FERMETURE



RINÇAGE



RECIRCULATION



LAVAGE

Attention: Ne pas changer la position de la vanne avec la pompe en fonctionnement.

9. VIDANGE DU SABLE

Pour remplacer ou vider le sable, procéder de la manière suivante:

1. Vider le filtre de son eau
2. Vider le filtre du sable
3. Pour remplir le filtre, suivre les instructions de MISE EN MARCHÉ

Profiter du changement du sable pur réviser le système intérieur, principalement les bras collecteurs ou les busselures crepinées.

10. AUTRES RECOMMANDATIONS IMPORTANTES

Le montage intérieur, le nombre de collecteurs et de diffuseurs varient selon la taille et le type de filtre. La fonction des diffuseurs est de distribuer l'eau le plus uniformément possible sur la couche filtrante. La fonction des collecteurs est de recueillir l'eau préalablement filtrée et de la canaliser vers la sortie du filtre.

Chaque filtre est équipé d'une purge d'air manuelle installée sur la partie supérieure. De même, tous les filtres disposent d'une purge d'eau manuelle installée sur la partie inférieure.

Une fois l'installation de la piscine est terminée, nettoyer l'extérieur du filtre avec de l'eau sous pression, afin d'enlever toute la poussière et les saletés dues aux travaux de construction ou d'installation.

Au cas où l'installation devrait être mise à l'arrêt durant une longue période, il est conseillé de vider le filtre de son eau.

La couleur ou éclat des filtres placés à l'extérieur peut se détériorer due à l'action des rayons solaires, est recommandable de placer les filtres protégés de la radiation solaire directe.

11. MAINTENANCE

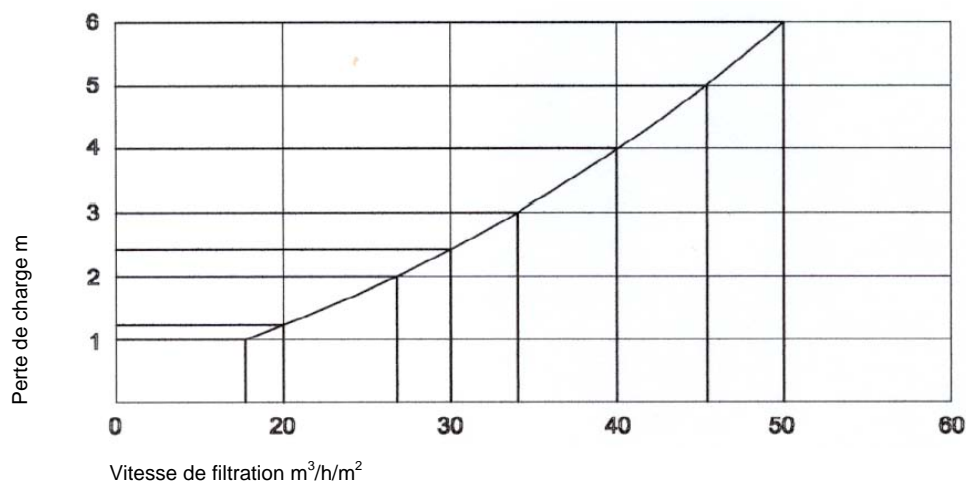
Un nettoyage régulier et méticuleux est nécessaire pour l'entretien de votre piscine, ceci entraînera une économie de travail, une meilleure qualité d'eau et une plus longue durée de vie de votre équipement.

Effectuez un entretien correct de l'équipement de filtration (pompes, vannes ...etc.) en suivant les recommandations du constructeur. Inspectez périodiquement la charge filtrante et tous les composants du filtre (diffuseurs, bras collecteurs, purges d'eau et d'air, tuyauteries, joints etc.) inclus le corps polyester du filtre en remplaçant ou réparant les parties endommagées.

Nettoyez régulièrement l'extérieur du filtre avec de l'eau sous pression afin de le débarrasser de la poussière accumulée avec le temps. Ne pas utiliser de dissolvants qui pourraient endommager les parties plastiques et le hublot.

Si la piscine n'est plus utilisée en hiver, videz l'équipement selon les méthodes décrites plus haut afin que le gel ou le froid ne l'altère pas.

12. TABLEAU DE PERTE DE CHARGE DES FILTRES A SABLE AVEC BATTERIE DE VANNES



13. AVERTISSEMENTS DE SECURITE

Arrêter systématiquement la pompe lors de toute manœuvre des vannes.

Ne pas raccorder le filtre directement sur le réseau d'eau potable car la pression de celui-ci pourrait excéder la pression maximale de travail autorisée pour le filtre.

Rappelez-vous qu'il est très important d'installer les supports de batteries pour éviter que les raccords des filtres ne se rompent. Si l'installation comporte plus d'un filtre installé sur la même batterie, vous devrez installer une vanne sur chacun des raccords pour pouvoir isoler complètement le filtre.

Ne jamais dépasser la pression maximale de travail indiquée sur la plaque de caractéristiques du filtre.

Les filtres ne sont pas dessinés pour supporter le vide partiel à l'intérieur, les circonstances qui peuvent amener à cette situation doivent être évitées.

14. PROBLEMES POSSIBLES

PROBLEMES	CAUSES	SOLUTION
Manque de débit de l'eau filtrée	Le filtre est sale Le panier de pré filtre est encombré	Procéder à un lavage du filtre. Le nettoyer.
Caractéristiques inhabituelles de la masse filtrante	Formation de canaux dans le sable Manque de lavage Rupture des collecteurs	Procéder à un lavage du filtre. Vider le sable et rechercher une éventuelle rupture des collecteurs puis remplacer le sable
Le manomètre oscille violemment	La pompe prend de l'air Aspiration semi-fermée	Vérifier toute l'installation et éliminer les fuites possibles Vérifier que les vannes d'aspiration sont complètement ouvertes
Présence de sable provenant du filtre	Rupture des collecteurs	Réparer ou remplacer les collecteurs
Le sable s'échappe à la vidange lors du processus de lavage	Trop de débit de l'eau de lavage ou trop de sable	Réduire ce débit ou vider du sable

IMPORTANTE: El manual de instrucciones que tiene en sus manos contiene información fundamental acerca de las medidas de seguridad a adoptar en el momento de la instalación y la puesta en servicio. Por ello es imprescindible que tanto el instalador como el usuario lean las instrucciones antes de pasar al montaje y la puesta en marcha.

“Para conseguir un óptimo rendimiento del filtro, es conveniente observar las instrucciones que se indican a continuación.”

1. COMPRUEBE EL EMBALAJE

Comprobar que el filtro y todos sus componentes se encuentran en buen estado después del transporte. junto al filtro se encuentra una caja que contiene los manómetros y otros accesorios auxiliares que incluyen este manual. También se encuentra la documentación necesaria de garantía y certificado de prueba.

2. CARACTERÍSTICAS GENERALES

Los filtros son sin duda los accesorios más importantes para la filtración del agua; y su uso tiene por objeto eliminar las materias en suspensión y clarificar el agua.

La eficacia de una correcta filtración consiste en retener las partículas en suspensión que lleva el agua durante su paso a través del lecho de arena filtrante.

El proceso de filtración y depuración del agua incluye toda una variedad de elementos a tener en cuenta además de filtros, tales como: bombas, tratamientos químicos del agua, accesorios del vaso de la piscina para asegurar el retorno, y la aspiración del agua, así como el resto de elementos capaces de asegurar una correcta circulación y mantenimiento de la calidad del agua.

Normalmente cada país tiene sus normas para piscinas públicas y privadas, y a ellas deben ceñirse los instaladores antes de realizar cualquier diseño o instalación. Para ello deberán diseñar y definir los elementos y materiales del proyecto respetando las normas establecidas.

La calidad de filtración depende de varios parámetros: concepción del filtro y su forma, sistema colector del agua (por brazos o placa de crepinas), altura del lecho filtrante, características y granulometría de la masa filtrante, etc. Así mismo, la velocidad de filtración es una característica determinante para obtener una buena calidad de filtrado y se recomienda no superar la velocidad de 40 m/h.

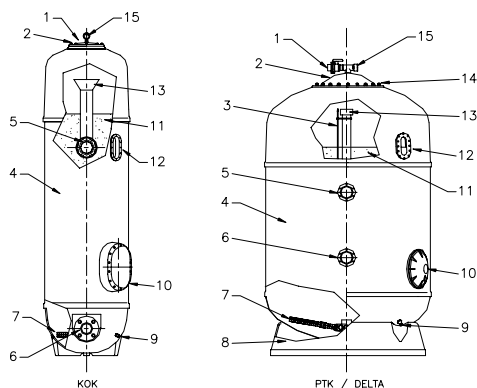
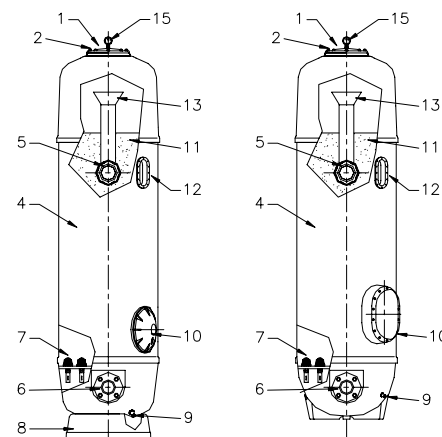
Los filtros están fabricados con resina de poliéster y fibra de vidrio; materiales que le confieren la propiedad de ser totalmente anticorrosivos a la acción del agua de la piscina. En su interior incorporan un colector y difusor de material plástico inalterable (PVC y PP). Además son resistentes al agua salada.

La capa especial de recubrimiento de la pared interior le confiere una elevada resistencia al desgaste y a la abrasión. Además, bajo pedido también pueden suministrarse con recubrimientos de alta resistencia química.

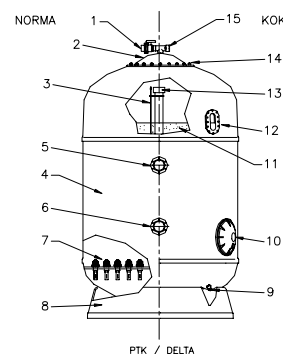
3. IDENTIFICACIÓN DE LOS COMPONENTES

Los componentes pueden variar, según el modelo, en tamaño y posición, o no estar presentes.

1. Purga de aire manual.
2. Tapa, boca de carga de arena y entrada de inspección
3. Purga de aire interior
4. Cuerpo del filtro, interior reforzado con fibra de vidrio de poliéster
5. Conexión, entrada agua sucia
6. Conexión, salida agua limpia
7. Sistema colector del agua mediante brazos o crepinas
8. Pie reforzado con fibra de vidrio de poliéster
9. Descarga de arena y vaciado de agua
10. Boca lateral
11. Medio filtrante
12. Mirilla
13. Sistema difusor del agua
14. Cáncamos para el transporte (usar sólo con el filtro vacío)
15. Manómetro



Brazos colectores



Crepinas

4. CARACTERÍSTICAS DE LA INSTALACIÓN

Para realizar una correcta instalación es conveniente tener en cuenta los siguientes consejos:

- En relación al número de bombas a instalar es aconsejable proveer la instalación de la misma cantidad de bombas que de filtros, cada una de ellas con el caudal necesario para conseguir la velocidad de filtración deseada.
- Es aconsejable que la impulsión de cada una de las bombas desemboque en la tubería general de impulsión que se dirige a los filtros de forma que cuando se filtre la totalidad del agua todas las bombas estén funcionando.
- Para realizar el lavado del filtro con agua se combinarán bombas y filtros para obtener el caudal necesario de lavado teniendo en cuenta que la velocidad en el lavado puede ser de $40 \text{ m}^3/\text{h}/\text{m}^2$ (modelos con sistema colector mediante brazos colectores) a $60 \text{ m}^3/\text{h}/\text{m}^2$ (modelos con sistema colector mediante placa de crepinas).
- Para el lavado del filtro con aire (modelos con sistema colector mediante placa de crepinas o doble colector) se utilizará una o varias bombas turbosoplantes capaces de proporcionar el caudal necesario para lavar con aire a una velocidad de $60 \text{ m}^3/\text{h}/\text{m}^2$ a 300 mbar. Nunca debe utilizarse un compresor pues podría dañar el filtro por exceso de presión.
- Es recomendable instalar los filtros por debajo del nivel de llenado de la piscina y lo más próximo posible al vaso de la piscina.
- Es conveniente que la caseta donde están instalados los filtros esté provista de ventilación y de los desagües adecuados para que, en caso de accidente, el agua que pudiera salir de cualquier tubería, filtro, bomba, etc. pueda ser evacuada, evitando así el riesgo de daños a las instalaciones existentes (bombas, cuadros eléctricos, etc.). Si por cualquier circunstancia no se pudiera disponer de estos desagües, debería instalarse un sistema alternativo automatizado para evacuar el agua de la sala.

5. INSTALACIÓN

Los filtros se entregan convenientemente embalados y debido a su peso, tamaño y dificultades existentes para su ubicación en la obra, se recomienda que la manipulación y traslado de los mismos se realice con medios mecánicos (carretillas, elevadoras, grúas, etc.)

Los filtros son de material plástico, y aun siendo perfectamente resistentes a la presión interna para la cual han sido diseñados, son frágiles al impacto y por tanto es muy importante asegurar que los filtros no reciban golpes que pudieran dañar las bases, el cuerpo y las conexiones durante la instalación y el mantenimiento de los mismos.

Para las conexiones, utilizar siempre accesorios de plástico y evitar que las conexiones queden forzadas.

La carga de la arena debe realizarse una vez instalado el filtro en su emplazamiento definitivo y siguiendo las instrucciones del apartado de «puesta en marcha» (punto núm. 6).

Dado que los filtros requieren revisiones periódicas y en previsión de eventuales intervenciones en su interior, es imprescindible dejar un mínimo de espacio libre alrededor y sobre los filtros. (fig. 1)

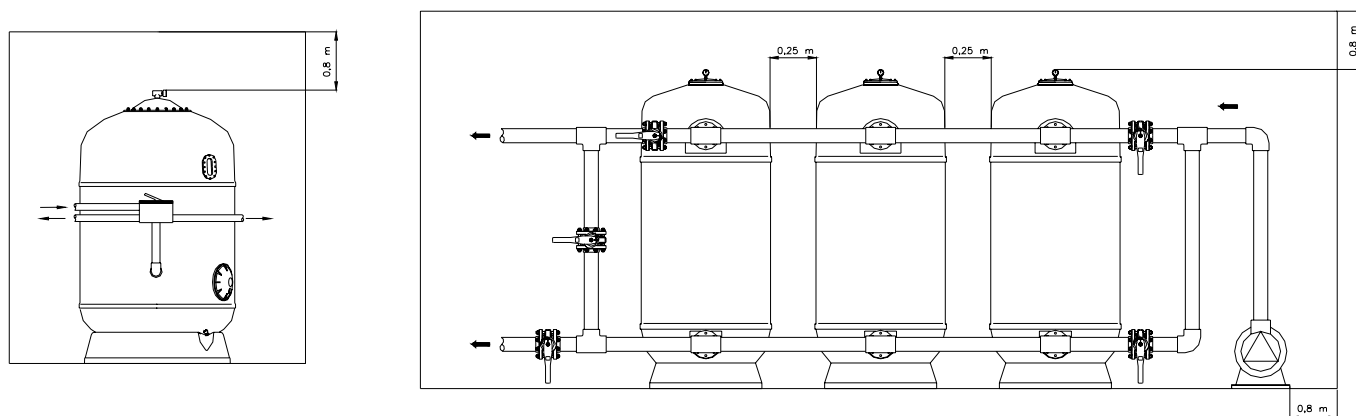


Fig. 1

Las fases a seguir para una correcta instalación de los filtros son las siguientes:

- Colocar los filtros en su emplazamiento definitivo teniendo en cuenta que la base debe quedar perfectamente apoyada en el suelo y sobre un plano totalmente horizontal. (fig. 2)
- Montar las válvulas en los filtros correctamente evitando que las conexiones queden forzadas. Tener en cuenta que la estanqueidad de las uniones se hace mediante juntas, por lo que no es necesario apretar en exceso las tuercas. No utilizar cinta de teflón.
- Instalar los soportes de las válvulas en caso necesario y regularlos en altura correctamente.
- Conectar las válvulas con las tuberías de impulsión de las bombas, la tubería de retorno a la piscina y la tubería de desagüe.

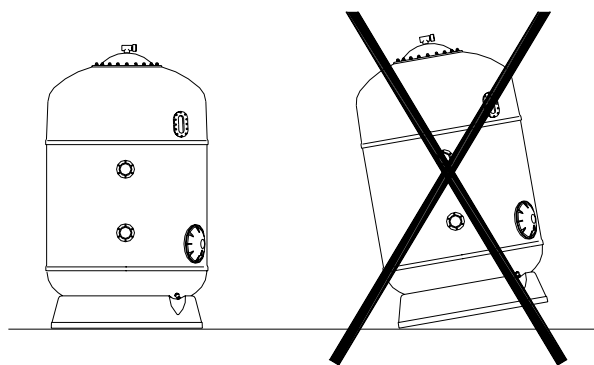


Fig. 2

5.1 MANÓMETRO (Fig. 3)

Se recomienda instalar un manómetro a la salida del filtro para controlar la diferencia de presión.

Los manómetros indican cuando debe realizarse un lavado del filtro. Por ejemplo, en un filtro limpio la presión de entrada que indica el manómetro oscila entre 0,8 y 1 kg/cm², mientras que la de salida está entre los 0,4 y 0,6 kg/cm². Cuando el diferencial de presión entre el manómetro de la entrada y el de la salida sea superior a 0,8 kg/cm² será necesario realizar la operación de lavado.



Fig. 3

6. PUESTA EN MARCHA

- Retirar la tapa del filtro procurando evitar daños en la junta y en la superficie de cierre de la tapa.
- Comprobar que todos los componentes del filtro estén en buen estado y asegurarse de que los brazos colectores o crepinas estén perfectamente sujetos ya que podrían haberse aflojado o dañado durante el transporte.
- Llenar de agua hasta la mitad del filtro aproximadamente.
- Introducir la arena teniendo en cuenta que primero debe introducirse una capa de soporte de un tamaño mínimo superior a la ranura de los brazos colectores o crepinas hasta cubrir el colector aproximadamente unos 10 cms. Esta operación debe realizarse con sumo cuidado para no dañar los componentes interiores del filtro. A medida que se llene el filtro con arena tener la precaución de repartir la arena por toda la superficie del filtro.
- Introducir la arena del tamaño deseado hasta el límite máximo de la altura de filtración.
- Limpiar escrupulosamente la superficie del cuello del filtro, la junta y la tapa antes de efectuar el montaje. Es aconsejable, también, engrasar los tornillos antes de poner las tuercas.
- Cerrar el filtro colocando la junta en posición correcta.
- Una vez cargado y convenientemente cerrado el filtro, es necesario efectuar un lavado del filtro. Para ello proceder según indica el apartado de lavado del filtro.

7. CICLOS DE FUNCIONAMIENTO

7.1 FILTRACIÓN (Fig. 4)

Con la bomba parada poner las válvulas en la posición que se indica en la tabla del apartado 8 para la operación de filtrado.

Durante el funcionamiento del filtro es conveniente observar periódicamente el manómetro y efectuar un lavado del filtro cuando la diferencia de presión sea igual o superior a 0,8 Kg/cm². (A medida que el lecho filtrante se ensucia por el uso, la entrada experimenta un aumento de presión al tiempo que la salida sufre una reducción).

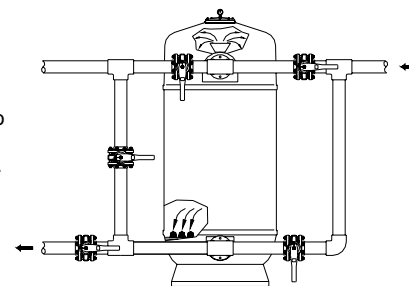


Fig. 4

7.2 LAVADO (Fig. 5)

La carga de arena (lecho filtrante) forma miles de canales de paso del agua que lógicamente recogen las impurezas y residuos sólidos que acompañan al agua a filtrar. Con el tiempo, estos residuos bloquean estos canales de paso de agua por lo que periódicamente es necesario limpiar el filtro para dejarlo en condiciones óptimas de trabajo, y verter al desagüe la suciedad que había en el lecho filtrante.

Se recomienda un lavado con agua durante 7 minutos a una velocidad entre 40 y 50 m³/h/m².

Es aconsejable poner un visor en la tubería de desagüe de forma que cuando se realiza un lavado se pueda observar la suciedad del agua procedente del filtro y así poder determinar la duración del lavado.

Para efectuar la operación de lavado, y SIEMPRE CON LA BOMBA PARADA, situar las válvulas en la posición que se indica en el cuadro del apartado 8.

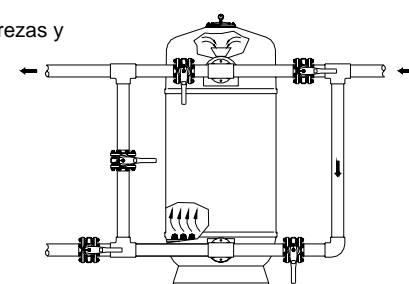


Fig. 5

7.2.1 LAVADO CON AIRE Y AGUA (SOLO PARA FILTROS CON PLACA DE CREPINAS O DOBLE COLECTOR)

Se utiliza aire para conseguir un desplazamiento del lecho y simular una ebullición del mismo. Con ello se pretende una mejor eficacia del lavado con un tiempo menor y obteniendo un sustancial ahorro de agua.

Este procedimiento se realiza en tres fases:

1. Inyección de aire a velocidad aproximada de 60 m³/h
2. Inyección de agua a velocidad aproximada de 50 m³/h
3. Inyección de agua y aire a una velocidad aproximada, pero no superior, de 50 m³/h

7.3 ENJUAGUE (Fig.6)

Operación recomendada a efectuar inmediatamente después del LAVADO que tiene por objeto expulsar al desagüe los restos de residuos que pudieran haber penetrado en los colectores durante la fase de lavado del filtro.

Esta operación debe realizarse por espacio de 3 minutos aproximadamente y evitará que aguas turbias circulen a la piscina.

Para efectuar esta operación situar las válvulas en la posición que se indica en el cuadro del apartado 8, (SIEMPRE CON LA BOMBA PARADA) e inmediatamente después pasar a la posición de filtración.

La posición de enjuague solo puede realizarse si la batería es de 5 válvulas.

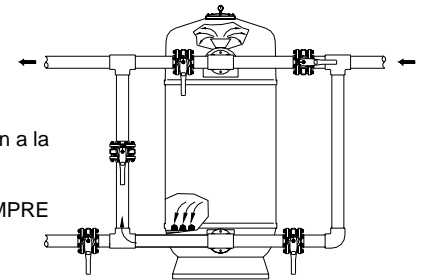


Fig. 6

7.4 VACIADO (Fig.7)

Cuando sea necesario vaciar la piscina y en caso de que ésta no disponga de desagüe en el fondo conectado directamente con el alcantarillado puede efectuarse el vaciado por medio de la bomba del filtro situando las válvulas en la posición que indica el cuadro del apartado 8.

Para ello y antes de conectar el vaciado, es necesario que las válvulas de los skimmers, canal de rebosadero y limpiafondos estén cerrados.

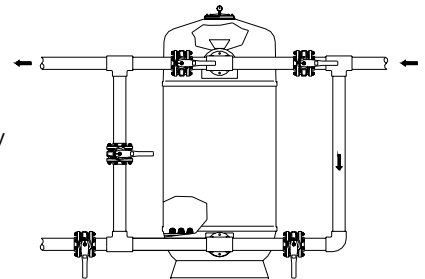


Fig. 7

7.5 CERRADO

Tal como su nombre indica todas las válvulas de la batería están cerradas.

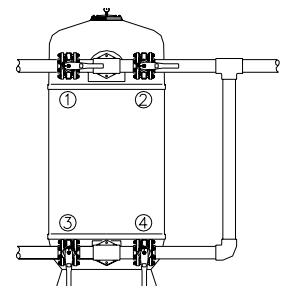
Esta operación es utilizada para efectuar el mantenimiento del filtro, limpieza del prefiltro, etc.

8. BATERÍAS DE VÁLVULAS. POSICIÓN DE LAS MISMAS EN CADA OPERACIÓN

8.1 BATERÍAS DE 4 VÁLVULAS

Cuadro de maniobras para las baterías de 4 válvulas:

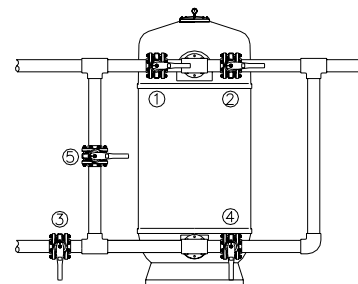
POSICION	1	2	3	4
FILTRACIÓN	Cerrada	Abierta	Abierta	Cerrada
LAVADO	Abierta	Cerrada	Cerrada	Abierta
VACIADO	Abierta	Abierta	Cerrada	Cerrada
CERRADO	Cerrada	Cerrada	Cerrada	Cerrada



8.2 BATERÍAS DE 5 VÁLVULAS

Cuadro de maniobras para las baterías de 5 válvulas:

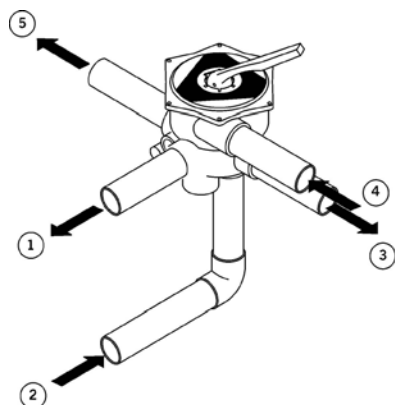
POSICION	1	2	3	4	5
FILTRAGE	Cerrada	Abierta	Abierta	Cerrada	Cerrada
LAVAGE	Abierta	Cerrada	Cerrada	Abierta	Cerrada
RINÇAGE	Cerrada	Abierta	Cerrada	Cerrada	Abierta
VIDANGE	Abierta	Abierta	Fermée	Fermée	Cerrada
FERMETURE	Fermée	Cerrada	Fermée	Fermée	Cerrada



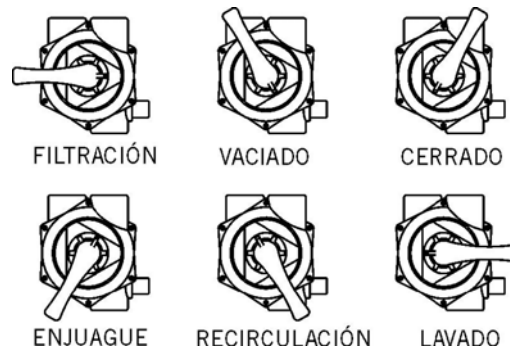
ATENCIÓN: Es importante que el motor de la bomba esté parado para efectuar cualquiera de las maniobras descritas en los cuadros.

8.3 VÁLVULA SELECTORA

En este tipo de válvula cada maniobra corresponde a una posición de su mando:



1. Entrada al filtro
2. Salida del filtro
3. Retorno
4. Desde la bomba
5. Desagüe



Atención: No cambiar la posición de la válvula con la bomba en funcionamiento.

9. VACIADO DE LA ARENA DEL FILTRO

En el momento de vaciar el filtro de arena, proceder de la siguiente manera:

1. Vaciar el agua del filtro
2. Quitar la tapa de vaciado de arena
3. Para volver a llenar el filtro de arena seguir las instrucciones de PUESTA EN MARCHA

Aproveche el vaciado de arena para revisar todos los componentes interiores, principalmente el colector y sustituir aquellos que puedan estar dañados.

10. OTRAS RECOMENDACIONES DE INTERÉS

El montaje interior, número de colectores y número de difusores, varía de acuerdo al tamaño y tipo de filtro. La función del o de los difusores es la de distribuir el agua lo más uniformemente posible sobre el lecho filtrante. La función de los colectores es la de recoger el agua previamente filtrada y canalizarla hacia la salida del filtro.

Cada filtro está equipado con una purga manual de aire instalada en la parte superior del filtro. Así mismo, todos los filtros disponen de una purga manual de agua instalada en la parte inferior.

Una vez que la instalación de la piscina esté terminada, es aconsejable dar al filtro una buena limpieza con agua a presión para limpiar todo el polvo o suciedad procedente de los trabajos de construcción o instalación.

En el caso de tener la instalación parada durante un período largo es aconsejable vaciar el filtro de agua.

Los filtros instalados en el exterior pueden perder brillo e intensidad del color, esto se debe a la acción de los rayos solares, por lo que se recomienda que éstos no incidan directamente sobre el filtro.

11. MANTENIMIENTO

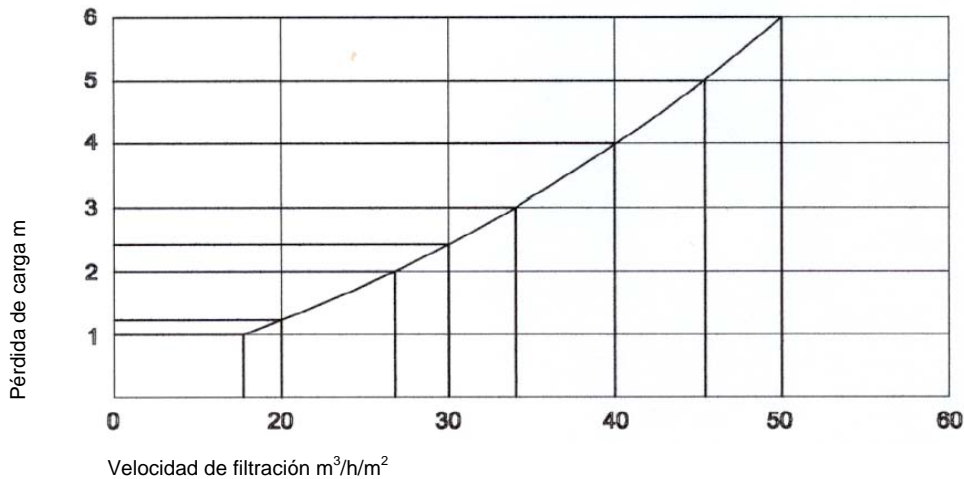
Una limpieza regular y a fondo es necesaria para el mantenimiento de su piscina, esto repercutirá en un ahorro de trabajo, una mayor durabilidad del equipo y una mejor calidad del agua.

Realice un correcto mantenimiento del equipo de filtración (bombas, válvulas, etc) siguiendo las recomendaciones del fabricante. Inspeccione periódicamente el medio filtrante y todos los componentes del filtro (difusores, brazos colectores, purgas de agua y aire, tuberías, juntas, etc.) incluido el cuerpo de poliéster reemplazando o reparando las partes dañadas.

Limpie el filtro con agua a presión periódicamente para quitar el polvo acumulado con el paso del tiempo. No use disolventes que puedan dañar las partes plásticas y el visor.

Si debe cerrar su piscina en invierno vacíe adecuadamente todo el equipo para evitar que el hielo pueda dañarlo.

12. TABLA DE PÉRDIDAS DE CARGA DE LOS FILTROS CON ARENA Y BATERÍA DE VÁLVULAS



13. ADVERTENCIAS DE SEGURIDAD

Parar la bomba siempre que deba maniobrar alguna válvula.

No conectar el filtro directamente a la red de agua potable ya que la presión de la misma puede ser elevada y exceder la presión máxima de trabajo autorizada del filtro.

Recuerde que es muy importante colocar soportes en las válvulas para evitar que se rompan las conexiones del filtro.

Los filtros son altamente resistentes a la presión interior para lo cual han sido diseñados, pero a la vez son frágiles frente a golpes exteriores.

Si la instalación consta de más de un filtro instalado en la misma batería debe proveer una válvula en cada una de las conexiones para permitir el aislamiento completo del filtro.

Bajo ningún concepto debe superarse la presión máxima autorizada de trabajo indicada en la placa de características del filtro.

Los filtros no están diseñados para soportar el vacío parcial en su interior, por lo que debe evitarse que se produzca esta situación.

14. POSIBLES AVERÍAS

PROBLEMAS	CAUSAS	SOLUCIÓN
Falta de caudal de agua filtrada	El filtro está sucio El filtro de la bomba y/o el skimmer está sucio	Proceder a un lavado. Limpiar el filtro.
Se observan cráteres en el lecho filtrante	Formación de canales preferenciales, falta de lavado o defecto en el colector	Proceder a un lavado Vaciar la arena y observar si hay rotura en los colectores y substituir la arena
El manómetro oscila violentamente	La bomba coge aire Aspiración semi-cerrada	Comprovar toda la instalación y eliminar las posibles fugas Comprovar que las válvulas de aspiración estén completamente abiertas
Hay arena procedente del filtro en la piscina	Hay rotura en el sistema colector	Reparar el sistema
La arena se escapa al desagüe en la operación de lavado	Exceso de caudal de agua de lavado o exceso de arena	Reducir el caudal de agua de lavado o sacar arena hasta tener el nivel correcto

IMPORTANTE: Il manuale di istruzioni in vostro possesso contiene le informazioni fondamentali relative alle misure di sicurezza da adottare al momento dell'installazione e della messa in funzione. Per questo è imprescindibile che sia l'installatore che l'utente leggano le istruzioni prima di passare al montaggio e alla messa in funzione.

“Per ottenere un ottimo rendimento del filtro è necessario osservare le istruzioni che vengono fornite di seguito:”

1. VERIFICARE IL CONTENUTO DELL'IMBALLAGGIO

Verificare che il filtro e tutti i suoi componenti siano in buone condizioni dopo il trasporto. Insieme al filtro c'è una cassetta che contiene i manometri e gli altri accessori ausiliari che comprendono anche il presente manuale. Si troverà anche la documentazione necessaria per la garanzia ed il certificato di prova.

2. CARATTERISTICHE GENERALI

I filtri sono senza alcun dubbio gli accessori più importanti per la filtrazione dell'acqua. Ed il loro uso ha come scopo quello di eliminare le materie in sospensione e purificare l'acqua.

L'efficacia di una corretta filtrazione condiziona i risultati del trattamento disinfettante..

Il principio fisico della filtrazione consiste in trattenere le particelle in sospensione che l'acqua porta durante il suo passaggio attraverso il letto di sabbia filtrante. Il processo di filtrazione e depurazione dell'acqua comprende tutta una varietà di elementi da tenere in considerazione oltre al filtro, quali le pompe, i trattamenti chimici dell'acqua, gli accessori della vasca della piscina per assicurare il ritorno e l'aspirazione dell'acqua, così come gli altri elementi capaci di assicurare una corretta circolazione e mantenimento della qualità dell'acqua.

Normalmente ciascun paese ha le sue norme per le piscine pubbliche e private e ad esse devono attenersi gli installatori prima di realizzare qualsiasi progetto o impianto. A tal fine dovranno disegnare e definire gli elementi ed i materiali del progetto rispettando le norme stabilite.

La qualità di filtrazione dipende da vari parametri; costruzione del filtro e sua forma, tipo di collettore dell'acqua tramite bracci collettori o piastre di filtrazione, altezza del letto filtrante, caratteristiche e granulometria della massa filtrante, ecc. Anche la velocità di filtrazione è una caratteristica determinante per ottenere una buona qualità di filtrazione e si raccomanda di non superare la velocità di 40 m/h.

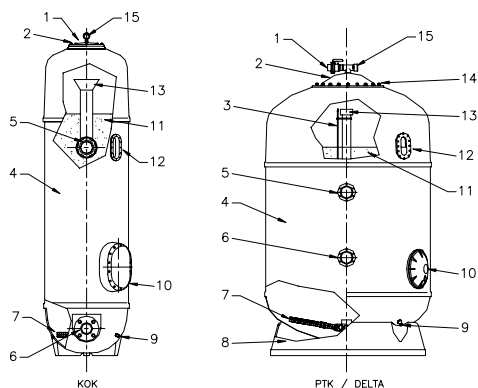
I filtri sono prodotti con resina di poliestere e fibra di vetro, materiali che conferiscono loro la proprietà di essere totalmente anticorrosivi. Al loro interno racchiudono il collettore ed il diffusore di materiale plastico inalterabile (PVC e PP). Inoltre sono resistenti all'acqua salata.

Lo strato speciale di rivestimento della parete interna gli dà una elevata resistenza all'usura e all'abrasione. Inoltre, su richiesta si può fornire anche con rivestimento di elevata resistenza chimica.

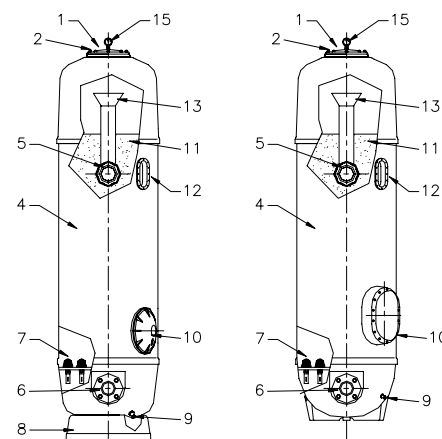
3. IDENTIFICAZIONE DEI COMPONENTI

I componenti possono variare, in base al modello, alla grandezza ed alla variante, oppure non essere presenti.

1. Spurgo manuale dell'aria
2. Tappo e bocca di carico della sabbia ed entrata d'ispezione
3. Spurgo dell'aria
4. Corpo del filtro in poliestere rinforzato con fibra di vetro
5. Collegamento entrata acqua sporca
6. Collegamento uscita acqua pulita
7. Sistema collettore dell'acqua con bracci collettori o piastre di filtrazione
8. Piede in poliestere rinforzato con fibra di vetro
9. Spurgo manuale dell'acqua e della sabbia
10. Tappo laterale
11. Mezzo filtrante
12. Visore spia
13. Sistema diffusore dell'acqua
14. Ganci per il trasporto (usare solo con il filtro vuoto)
15. Manometro

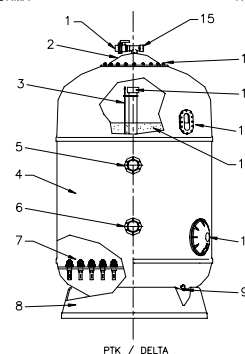


Bracci collettori



NORMA

KOK



PTK / DELTA

Piastre di filtrazione

4. CARATTERISTICHE DELL'IMPIANTO

Per effettuare un corretto impianto è utile tenere in considerazione i seguenti consigli:

- In rapporto al numero delle pompe da installare si consiglia di dotare l'impianto di un numero di pompe uguale a quello dei filtri, ciascuna di essa con la portata necessaria per ottenere la velocità di filtrazione voluta.
- E' consigliabile che la mandata di ciascuna delle pompe sbocchi nella tubazione generale di mandata che si dirige ai filtri di modo che quando si filtratutta l'acqua tutte le pompe stiano funzionando.
- Per effettuare il lavaggio del filtro con acqua si decideranno pompe e filtri per ottenere la portata necessaria di lavaggio tenendo in considerazione che la velocità nel lavaggio può essere di 40m/h (modelli con sistema collettore mediante bracci collettori a 60 m/h (modelli con sistema collettore mediante piastra di "crepine").
- Per il lavaggio del filtro con aria (modelli con sistema collettore mediante piastra di "crepine" o collettore doppio) si utilizzerà una o diverse pompe turbosoffianti capaci di fornire la portata necessaria per lavare con aria ad una velocità di 60 m/h a 300mbar. Non si deve mai utilizzare un compressore poiché potrebbe rovinare il filtro per eccesso di pressione.
- E' consigliabile installare i filtri sotto il livello di riempimento della piscina ed il più vicino possibile alla vasca della piscina.
- E' utile che la cabina dove sono installati i filtri sia dotata di ventilazione e degli scarichi adeguati affinché in caso di incidente, l'acqua che potrebbe uscire da qualsiasi tubo, filtro, pompa, ecc. possa essere evacuata, evitando così il rischio di danni agli impianti esistenti (pompe, quadri elettrici, ecc.) Se per qualsiasi motivo non si potesse disporre di questi scarichi, sarà necessario installare un sistema alternativo automatizzato per evacuare l'acqua dalla sala.

5. IMPIANTO

I filtri vengono consegnati adeguatamente imballati, e in considerazione del peso, delle dimensioni e delle difficoltà esistenti per la loro messa in opera, si consiglia di effettuare la manipolazione e lo spostamento degli stessi con mezzi meccanici (carrelli elevatori, gru, ecc.).

I filtri sono di materiale plastico e anche se sono perfettamente resistenti alla pressione interna per la quale sono stati progettati, sono fragili se ricevono colpi e perciò è molto importante assicurarsi che i filtri non ricevano colpi che possano danneggiare le basi, il corpo ed i collegamenti durante l'installazione e la manutenzione degli stessi.

Per i collegamenti, utilizzare sempre accessori di plastica ed evitare che i collegamenti vengano forzati.

La carica di sabbia deve essere effettuata una volta che è stato installato il filtro nella sua sede definitiva e seguendo le istruzioni del paragrafo "messa in moto".

Dato che i filtri richiedono revisioni periodiche ed in previsione di eventuali interventi all'interno è imprescindibile lasciare un minimo di spazio libero attorno e sopra i filtri (fig. 1).

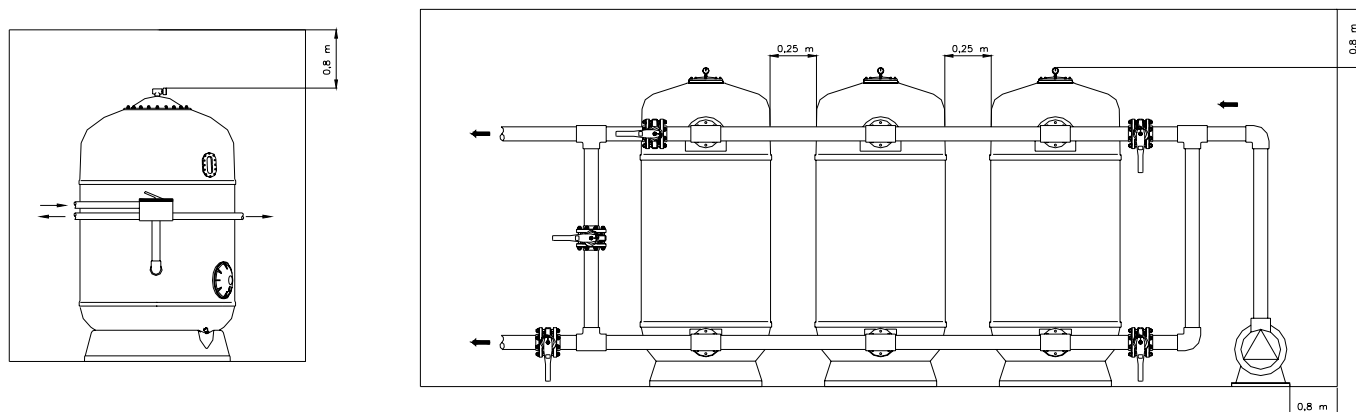


Fig. 1

Le fasi da seguire per una corretta installazione dei filtri sono le seguenti:

- Mettere i filtri nella loro sede definitiva tenendo in considerazione che la base deve rimanere perfettamente appoggiata al pavimento e sopra un piano completamente orizzontale (fig. 2).
- Montare correttamente la valvola nei filtri evitando che le connessioni rimangano forzate. Tenere in considerazione che l'ermeticità delle giunzioni si ottiene tramite giunti, pertanto non è necessario serrare eccessivamente i dadi. Non utilizzare nastri di teflon.
- Installare i supporti delle valvole adeguati e regolarli correttamente in altezza.
- Collegare la valvola con le tubazioni di mandata delle pompe, con la tubazione di ritorno alla piscina e con la tubazione di scarico.

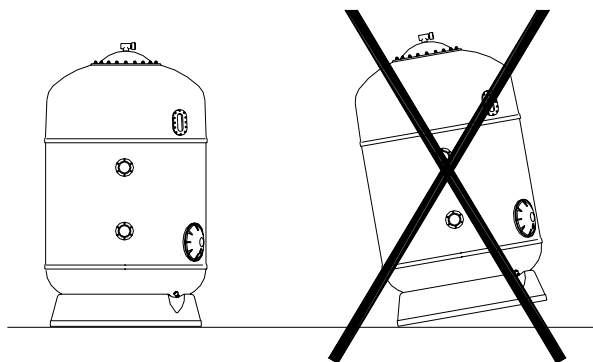


Fig. 2

5.1 INSTALLAZIONE DEI MANOMETRI (Fig. 3)

Si consiglia di mettere un manometro in la uscita del filtro.

I manometri indicano quando si deve realizzare un lavaggio del filtro. Per esempio, in un filtro pulito la pressione di entrata segnalata oscilla tra 0,8 e 1 kg/cm² e la pressione di uscita segnalata oscilla tra 0,4 e 0,6 kg/cm². Quando il differenziale di pressione tra l'entrata e la uscita è superiore a 0,8 kg/cm², è necessario effettuare un lavaggio del filtro.



Fig. 3

6. MESSA IN MOTO

- Ritirare il tappo del filtro, cercando di evitare danni al giunto e alla superficie di chiusura del tappo.
- Verificare che tutti i componenti del filtro siano in buono stato ed assicurarsi che i bracci collettori o "crepine" siano perfettamente bloccati dato che potrebbero essersi allentati o danneggiati durante il trasporto.
- Riempire di acqua fino a circa la metà del filtro.
- Introdurre la sabbia tenendo in considerazione che prima si deve introdurre uno strato di supporto di una dimensione minima superiore alla scanalatura dei bracci collettori o "crepine" fino a coprire il collettore per circa 10 cm. Questa operazione deve essere effettuata con estrema cura per non danneggiare i componenti interni del filtro. Mentre si riempie il filtro con sabbia, avere la precauzione di ripartire la sabbia su tutta la superficie del filtro.
- Introdurre la sabbia della dimensione voluta fino al limite massimo di altezza di filtrazione.
- Pulire scrupolosamente la superficie del collo del filtro, il giunto ed il tappo prima di effettuare il montaggio. Si consiglia anche di ingrassare le viti prima di mettere i dadi.
- Chiudere il filtro mettendo il giunto in posizione corretta
- Una volta caricato e correttamente chiuso il filtro, è necessario effettuare un lavaggio del filtro. Per fare ciò procedere secondo quanto indicato nel paragrafo del lavaggio del filtro.

7. CICLO DI FUNZIONAMENTO

7.1 FILTRAZIONE (Fig. 4)

Con la pompa ferma, mettere le valvole nella posizione indicata nel quadro in posizione filtrazione delle valvole.

Durante il funzionamento del filtro è utile controllare periodicamente il manometro ed effettuare un lavaggio del filtro quando la differenza di pressione è uguale o superiore a 0,8-1 kg/cm².

Man mano che il letto filtrante si sporca per l'uso, la entrata presenta un aumento di pressione nello stesso momento in cui la uscita soffre una riduzione della sua pressione d'esercizio.

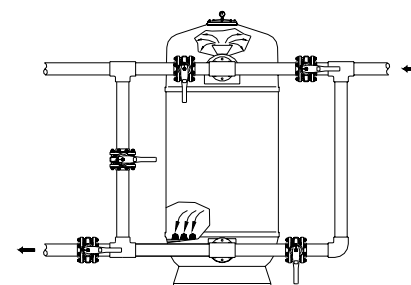


Fig. 4

7.2 LAVAGGIO (Fig. 5)

La carica di sabbia (letto filtrante) forma migliaia di canali di passaggio dell'acqua che ogicamente raccolgono le impurità residui solidi che accompagnano l'acqua da filtrare. Con il tempo, questi residui bloccano questi canali di passaggio dell'acqua per cui periodicamente è necessario pulire il filtro per lasciarlo in condizioni ottimali di lavoro e svuotare nello scarico lo sporco che c'era nel letto filtrante. Si consiglia un lavaggio con acqua per 7 minuti ad una velocità tra 40-50 m³/h/m².

Si consiglia di mettere un visore nella tubazione di scarico di modo che quando si effettua un lavaggio si possa osservare lo sporco dell'acqua che viene dal filtro e determinare così la durata del lavaggio.

Per effettuare l'operazione di lavaggio e SEMPRE CON LA POMPA FERMA mettere le valvole nella posizione indicata nel quadro

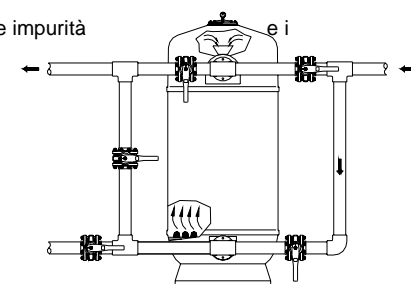


Fig. 5

7.2.1 LAVAGGIO CON ARIA E ACQUA (SOLO PER FILTRI CON PIASTRA DI CREPINE O DOPPIO COLLETTORE)

Si utilizza aria per ottenere uno spostamento del letto e simulare un'ebollizione dello stesso. Con questo si pretende una migliore efficacia di lavaggio con un tempo minore, ottenendo così un sostanziale risparmio di acqua.

Questo procedimento si effettua in 3 fasi:

1. Iniezione di aria alla velocità di circa 60 m/h
2. Iniezione di acqua a velocità di circa 50 m/h
3. Iniezione di acqua ed aria ad una velocità che approssimativamente non deve essere superiore a 50 m/h

7.3 RISCIAQUO (Fig.6)

Operazione che si consiglia di effettuare immediatamente dopo il LAVAGGIO che ha come oggetto l'espulsione allo scarico dei residui che potrebbero essere penetrati nei collettori durante la fase di lavaggio del filtro.

Questa operazione deve essere effettuata nell'arco di 3 minuti circa ed eviterà che acque torbide circolino nella piscina.

Per effettuare questa operazione mettere le valvole nella posizione indicata nel quadro (SEMPRE CON LA POMPA FERMA) e immediatamente dopo passare alla posizione di filtrazione.

La posizione di risciacquo si può effettuare solo se la batteria è a 5 valvole.

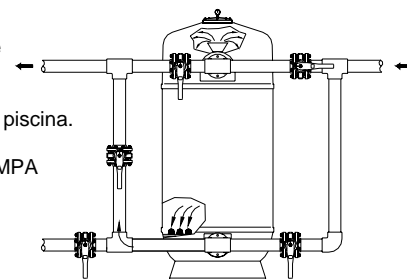


Fig. 6

7.4 SVUOTAMENTO (Fig.7)

Quando si rende necessario svuotare la piscina ed in caso che questa non disponga di scarico sul fondo collegato direttamente con la rete fognaria si può effettuare lo svuotamento tramite la pompa del filtro mettendo le valvole nella posizione indicata dal quadro nel paragrafo svuotamento.

Per fare questo e prima di collegare lo svuotamento è necessario che le valvole degli skimmers, del canale di sfioro e dei pulitori del fondo siano chiuse.

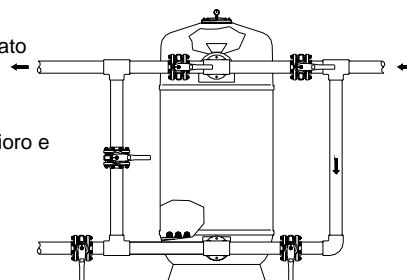


Fig. 7

7.5 CHIUSURA

Così come indica il suo nome, tutte le valvole della batteria sono chiuse.

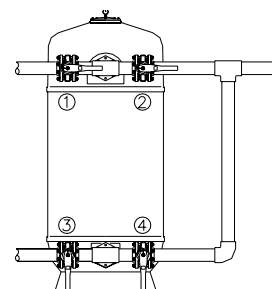
Questa operazione è utilizzata per effettuare la manutenzione del filtro, la pulizia del prefiltra, ecc.

8. BATTERIE DI VALVOLE, POSIZIONE DELLE STESSE IN CIASCUNA OPERAZIONE.

8.1 BATTERIE A 4 VALVOLE

Quadro di manovra per batterie a 4 valvole:

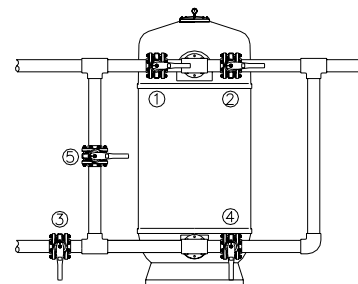
POSIZIONE	1	2	3	4
FILTRAZIONE	Chiusa	Aperta	Aperta	Chiusa
LAVAGGIO	Aperta	Chiusa	Chiusa	Aperta
SVUOTAMENTO	Aperta	Aperta	Chiusa	Chiusa
CHIUSURA	Chiusa	Chiusa	Chiusa	Chiusa



8.2 BATTERIE A 5 VALVOLE

Quadro di manovra per batterie a 5 valvole.

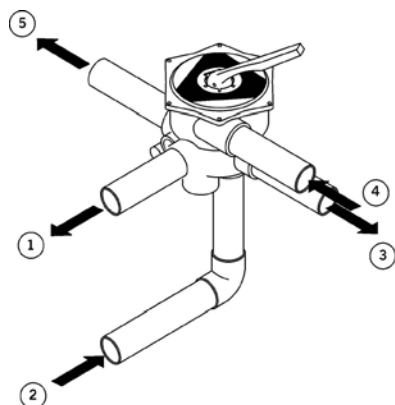
POSIZIONE	1	2	3	4	5
FILTRAZIONE	Chiusura	Aperta	Aperta	Chiusura	Chiusura
LAVAGGIO	Aperta	Chiusura	Chiusura	Aperta	Chiusura
RISCIACQUO	Chiusura	Aperta	Chiusura	Chiusura	Aperta
SVUOTAMENTO	Aperta	Aperta	Fermée	Fermée	Chiusura
CHIUSURA	Fermée	Chiusura	Fermée	Fermée	Chiusura



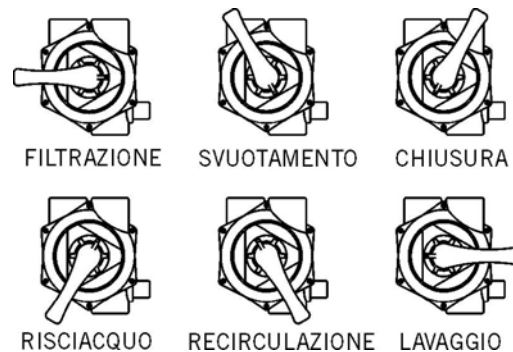
ATTENZIONE: E' importante che per effettuare una qualsiasi delle manovre descritte nei quadri il motore della pompa sia spento.

8.3 VALVOLA SELETRICE

In questo tipo di valvola ogni manovra corrisponde ad una posizione del suo comando:



1. Entrata nel filtro
2. Uscita del filtro
3. Ritorno alla piscina senza passare per il filtro
4. Dalla pompa
5. Scarico



ATTENZIONE: Non si deve cambiare la posizione della valvola selettiva mentre la pompa è in funzione.

9. SVUOTAMENTO DELLA SABBIA DEL FILTRO

Nel momento di svuotare il filtro di sabbia, a causa di un incidente o per il cambio della sabbia dovuto al suo deterioramento, procedere nel seguente modo:

1. Svuotare l'acqua dal filtro
2. Svuotare la sabbia dal filtro
3. Per riempire di nuovo il filtro di sabbia, seguire le istruzioni di MESSA IN MOTO

Approfittare dello svuotamento della sabbia per revisionare tutti i componenti interni, principalmente il collettore e sostituire quelli che possono essere danneggiati.

10. ALTRI CONSIGLI DI INTERESSE

Il montaggio interno, il numero dei collettori e dei diffusori, varia a seconda della dimensione e del tipo di filtro. La funzione dei diffusori è quella di distribuire l'acqua il più uniformemente possibile sul letto filtrante. La funzione dei collettori è quella di raccogliere l'acqua precedentemente filtrata e canalizzarla verso l'uscita del filtro.

Ciascun filtro è dotato di uno spurgo manuale di aria installato nella parte superiore del filtro. Allo stesso modo, tutti i filtri dispongono di uno spurgo manuale di acqua installato nella parte inferiore che può collegarsi direttamente alla fognatura.

Una volta terminata l'installazione della piscina, si consiglia di dare al filtro una buona pulita con acqua a pressione per pulire tutta la polvere e lo sporco causato dai lavori di costruzione e di installazione.

Nel caso in cui si debba tenere un impianto fermo per molto tempo, si consiglia di vuotare il filtro d'acqua.

I filtri installati all'esterno possono perdere la brillantezza e l'intensità del colore a causa dell'azione dei raggi solari, per cui si raccomanda di evitare l'esposizione diretta.

11. MANUTENZIONE

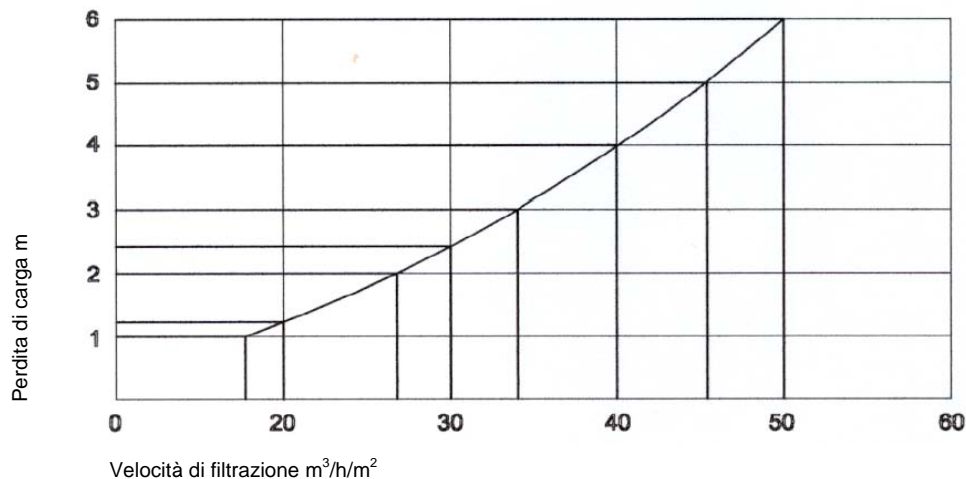
Una pulizia a fondo e regolare è necessaria per la manutenzione della piscina, questo si ripercuoterà in un risparmio di lavoro, in una maggiore durata dell'apparecchiatura e in una migliore qualità dell'acqua.

Effettuare una corretta manutenzione dell'apparecchiatura di filtrazione (pompe, valvole, ecc.) seguendo i consigli del produttore. Controllare periodicamente l'ambiente filtrante e tutti i componenti del filtro (diffusori, bracci collettori, spurghi di acqua e di aria, tubazioni, giunti, ecc.) compreso il corpo in poliestere sostituendo o riparando le parti danneggiate.

Pulire il filtro con acqua a pressione periodicamente per togliere la polvere accumulata con il passare del tempo. Non usare solventi che possano danneggiare le parti plastiche ed il visore.

Se si deve chiudere la piscina in inverno, svuotare in modo adeguato tutta l'apparecchiatura per evitare che il gelo possa danneggiarla.

12. TAVOLA DELLE PERDITE DI CARICA DEI FILTRI CON SABBIA E BATTERIA A VALVOLE



13. AVVERTENZE DI SICUREZZA

Fermare la pompa ogni volta che si deve manovrare qualche valvola.

Non collegare il filtro direttamente alla rete di acqua potabile dato che la pressione della stessa può essere elevata ed eccedere la pressione massima di esercizio consentita per il filtro.

Ricordare che è molto importante mettere i supporti delle valvole per evitare che si rompano i collegamenti del filtro.

I filtri sono molto resistenti alla pressione interna per la quale sono stati progettati, però a volta sono fragili di fronte a colpi esterni.

Se l'impianto ha più di un filtro installato nella stessa batteria bisogna prevedere una valvola in ciascun collegamento per permettere l'isolamento completo del filtro.

In nessun caso si deve superare la pressione massima di esercizio consentita ed indicata nella targhetta delle caratteristiche del filtro.

I filtri non sono progettati per sopportare il vuoto parziale al loro interno, perciò bisogna evitare che si verifichi questa situazione.

14. POSSIBILI AVARIE

PROBLEMAS	CAUSAS	SOLUCIÓN
Mancanza di portata dell'acqua filtrata	Il filtro è sporco Il cesto raccogli-capelli è tappato	Procedere ad un lavaggio Pulire il cesto raccogli- capelli.
Si osservano caratteri nel letto filtrante	Formazione di canali preferenziali, mancanza di lavaggio o difetto nel collettore	Procedere ad un lavaggio Vuotare la sabbia e controllare se c'è rottura nei collettori e sostituire la sabbia
Il manometro oscilla violentemente	La pompa prende aria Aspirazione semi-chiusa	Controllare tutto l'impianto ed eliminare le possibili fughe Verificare che le valvole di aspirazione siano completamente aperte
C'è sabbia in piscina che arriva dal filtro	Hay rotura en el sistema colector	Riparare il sistema collettore
La sabbia scappa nello scarico nell'operazione di lavaggio	Exceso de caudal de agua de lavado o exceso de arena	Ridurre la portata dell'acqua di lavaggio o il livello della sabbia

WICHTIG: Die Ihnen vorliegende Betriebsanweisung beinhaltet wichtige Informationen bzgl. der notwendigen Sicherheitsmassnahmen während der Installation sowie auch während der Inbetriebnahme. Es ist deshalb unentbehrlich für den Installateur/Schwimmbadbauer sowie auch für den Endbenutzer diese vor Montage und vor Inbetriebnahme sorgfältig durchzulesen.

Damit eine optimale Leistung des Filters garantiert werden kann, empfehlen wir, die nachfolgend aufgeführten Anweisungen sorgfältig zu befolgen.

1. ÜBERPRÜFUNG DER VERPACKUNG

Überprüfen Sie, dass der Filter und alle seine Bestandteile nach dem Transport in korrektem Zustand angekommen sind. Neben dem Filter befindet sich ein Karton mit dem Manometer und den restlichen Bestandteilen, welche in dieser Betriebsanweisung erwähnt werden. Sie verfügen ebenfalls über die notwendige Dokumentation für die Garantie dieses Produktes, sowie auch über das entsprechende Test-Zertifikat.

2. ALLGEMEIN TECHNISCHE ANGABEN

Die Filter sind zweifelslos die wichtigsten Bestandteile für die Filtrierung des Wassers Ihres Schwimmbeckens. Diese Geräte werden zur Entfernung nicht erwünschter schwebender Bestandteile und zur Wasserklärung angewandt.

Die Resultate der Behandlung zur Desinfektion/Entkeimung des Wassers hängen von der Wirksamkeit einer korrekten Filtrierung ab.

Das Prinzip der Filtrierung beinhaltet die schwebenden Fremdkörper im Filterelement (Sand) zurückzubehalten, während dem das Wasser durch den Filter zirkuliert. Das Filtrierungsverfahren und die Reinigung des Wassers benötigen verschiedene Bestandteile, welche abgesehen von den Filtern, auch in Betracht gezogen werden müssen. Dazu gehören bspw. die Pumpen, die Wasserbehandlung mit chemischen Produkten, das Zubehör im Innern des Schwimmbeckens, um den Rücklauf und die Ansaugung des Wassers garantieren zu können, sowie auch andere für eine korrekte Zirkulation des Wassers und die Erhaltung der Qualität des Wassers notwendigen Bestandteile.

Jedes Land hat im Allgemeinen seine eigenen Richtlinien für private und öffentliche Schwimmbäder, an welche sich die Installateure/Schwimmbadbauer halten müssen, bevor Entwürfe oder der Bau von Installationen gestartet werden. Es ist somit unentbehrlich, dass die notwendigen Bestandteile und Materialien gemäss den vorgegebenen Richtlinien angewandt werden.

Die Qualität der Filtrierung hängt von verschiedenen Parametern ab: Filterkonzeption und Filterform, Art der Zurückbehaltung des Wassers durch Filterstern oder Düsenboden, Höhe des Filterelementes, Eigenschaften und Korngrösse des Filterelementes, etc. Auch die Geschwindigkeit des Filtrierungsverfahren ist eine entscheidende Eigenschaft, um die Qualität der Filtrierung zu beeinflussen. Wir empfehlen, eine Geschwindigkeit von 40 m/Std. nicht zu überschreiten.

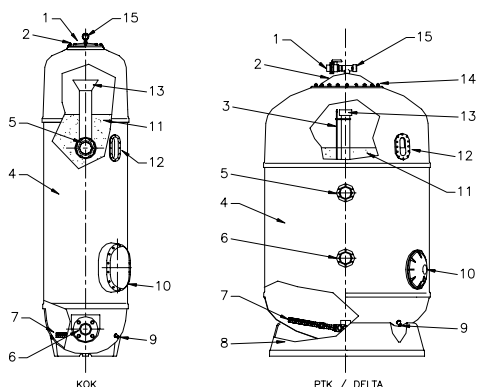
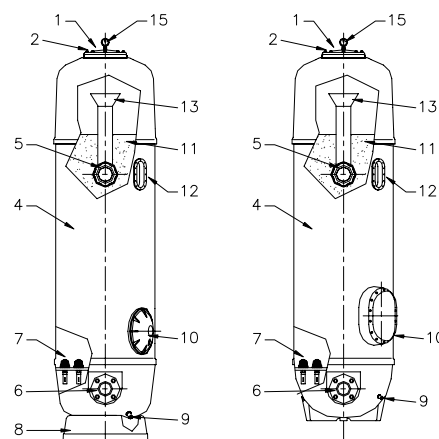
Die Filter werden aus Polyesterharz und Glasfasern hergestellt. Diese Materialien sind wasserbeständig und somit rostfrei. Kollektor und Difusor im Innern des Filters sind aus Kunststoff (PVC und PP). Diese sind salzwasserbeständig.

Die spezielle Beschichtung der Innenwände ist sehr widerstandsfähig gegenüber von Verschleiss und Abnutzung / Abrieb. Auf Wunsch sind diese Filter auch mit einer Beschichtung erhältlich, womit eine hohe Widerstandsfähigkeit gegenüber chemischer Produkte gesichert ist.

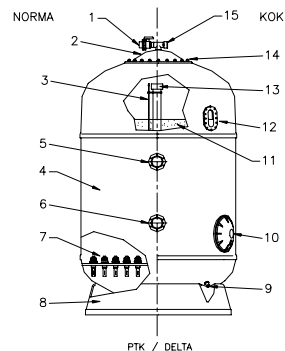
3. KENNZEICHNUNG DER BESTANDTEILE

According to the model, the components might change in size or position or could not be present.

1. Handbetriebene Entlüftung
2. Deckel und Öffnung für die Füllung mit Sand und Prüfeingang
3. Inner Entlüftung
4. Filterkörper aus Polyester und mit Glasfaser verstärkt
5. Anschluss Eingang des schmutzigen Wassers
6. Anschluss Ausgang des sauberen Wassers
7. Wasserzurückhaltungssystem durch Filterstern / Düsendoben
8. Filterfuss aus Polyester und mit Glasfaser verstärkt
9. Handbetriebene Wasserentleerung und Öffnung zur Sandentleerung
10. Öffnung seitlich
11. Filterelement
12. Klarsichtglas
13. System Wasserdifusor
14. Gelenkbolzen/Kranlaschen für den Transport (nur mit leerem Filterkessel anwenden)
15. Manometer



Filterstern



Düsendoben

4. INSTALLATIONSEIGENSCHAFTEN

Um eine korrekte Installation durchzuführen, empfehlen wir folgende Ratschläge zu befolgen:

- Für die Installation der Pumpen empfehlen wir, dass die Anzahl der Pumpen mit der der Filter übereinstimmt. Wichtig ist, dass jede der angewandten Pumpen über die notwendige Durchflussmenge verfügt, um die gewünschte Filtrierungsgeschwindigkeit zu erreichen.
- Wir empfehlen, dass der Einlauf jeder der angewandten Pumpen in den Einlauf der Hauptverrohrung läuft, welche zu den Filtern führt, damit während das gesamte Wasser filtriert wird, alle Pumpen funktionieren.
- Um den Filterwaschvorgang durchzuführen, werden Pumpen und Filter angewandt, um die notwendige Durchflussmenge für den Waschvorgang zu erhalten. Dies jedoch unter Berücksichtigung, dass die Geschwindigkeit des Waschvorganges entweder 40m/Std. für Modelle mit Filtersterne oder 60 m/Std. für Modelle mit Düsenboden betragen kann.
- Für den Waschvorgang des Filters mit Luft (Modelle mit Düsenboden oder Doppelkollektor) werden eine oder mehrere selbstansaugende Pumpen angewandt. Diese müssen die notwendige Durchflussmenge ergeben, um mit mit einer Geschwindigkeit von 60m/Std. a 300 mbar den Waschvorgang mit Luft vorzunehmen. Niemals einen Kompressor dazu einsetzen, da dieser aufgrund von Überdruck den Filterbehälter beschädigen könnte.
- Es ist empfehlenswert, die Filterschächte einerseits mit einer Ventilationsvorrichtung zu versehen und andererseits an die geeigneten Abwasseranschlüsse anzuschliessen, um bei Unfällen den Wasserausfluss aus Verrohrung, Filter, Pumpe, etc. zu vermeiden und somit die bestehende Installation vor möglichen Beschädigungen zu schützen (Pumpen, Schaltgeräte, etc.). Falls aus irgendetwegen Gründen diese Abwasseranschlüsse nicht verfügbar sein können, muss als Alternative ein automatisches System, um das abfließende Wasser zu evakuieren, eingesetzt werden.

5. INSTALLATION

Die Filter werden in dafür geeigneter Verpackung geliefert. Aufgrund des Gewichtes, der Grösse und der möglichen Schwierigkeiten diese an Ihren entsprechend Aufstellungsort zu befördern, empfehlen wir, die Handhabung und Beförderung mit mechanischen Geräten (Hebebühnen, Kran, etc.) durchzuführen.

Die Filter sind aus Kunststoff und obwohl diese speziell standfähig gegenüber des inneren Druckes sind, Zweck des Filters, sind diese gegenüber von Schlägen zu schützen, damit weder der Filterfuss, Filterkörper noch die Anschlüsse für die Installation beschädigt werden.

Für die Anschlüsse immer Zubehör aus Kunststoff anwenden und diese vor Verzweigungen schützen.

Die Füllung des Filters mit Sand muss erst durchgeführt werden, wenn sich der Filter an seinem definitiven Aufstellungsort befindet. Hierzu bitten wir Sie, die Anweisungen unter dem Kapitel "Inbetriebnahme" zu befolgen.

Da die Filter regelmässige Überprüfungen erfordern und als Voraussichtsmassnahme für mögliche Eingriffe im Innern des Filters, sollte dieser auf einem Aufstellungsort, an welchem genügend Platz vorhanden ist und oberhalb des Filters (Fig. 1) installiert werden.

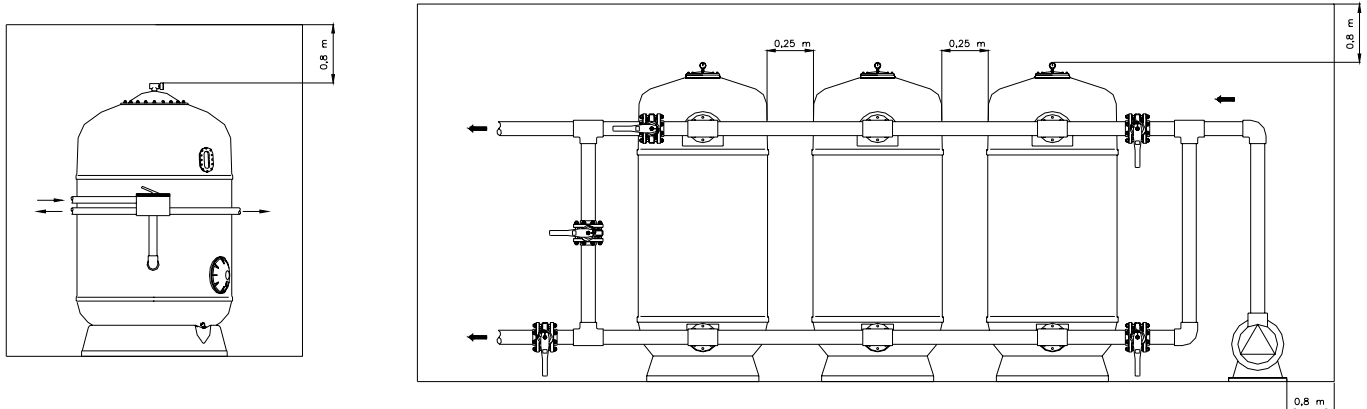


Fig. 1

Die verschiedenen Phasen für eine korrekte Installation der Filter sind folgendermassen durchzuführen:

- Die Filter auf ihren definitiven Aufstellungsort setzen, unter Berücksichtigung, dass der Filterfuss komplett auf dem Boden aufgestellt ist und dieser komplett aufrecht steht (Fig.2).
- Die Klappe korrekt in den Filtern einbauen ohne die Anschlüsse zu verzweigen. Beachten Sie, dass die Dichtigkeit vom Verschliessen der Dichtungen abhängt und somit das zu feste Andrücken der Muttern nicht notwendig ist. Kein Teflonband anwenden.
- Die entsprechend geeigneten Halterungen für die Klappen installieren und diese auf korrekter Höhe regulieren.
- Die Klappe anhand der Einlaufverrohrungen der Pumpen einschalten, die Rücklaufverrohrung zum Becken und die Abflussverrohrung.

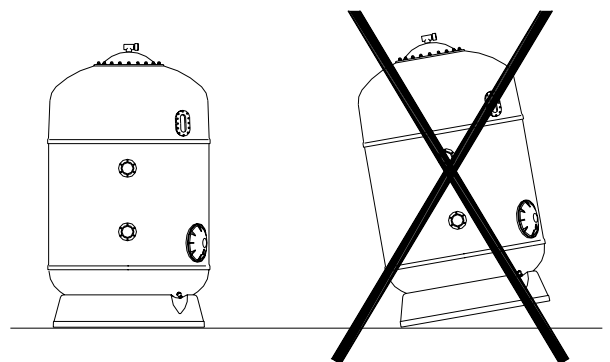


Fig. 2

5.1 INSTALLATION DER MANOMETER (Fig. 3)

Es empfiehlt sich, ein Manometer an den Filterausgang aufzustellen.

Die Manometer – Anzeige weist darauf hin, wann ein Filterwaschvorgang vorgenommen werden muss.

Z.Bsp.: Ein sauberer Filter zeigt einen Eingangsdruck zwischen 0,8 und 1 kg/cm² und einen Ausgangsdruck zwischen 0,4 und 0,6 kg/cm² an. Sobald die Differenz zwischen dem Eingangsmanometer und dem Ausgang 0,8 kg/cm² oder höher ist, wird ein Filterwaschvorgang notwendig.



Fig. 3

6. INBETRIEBNAHME

- Vorsichtig den Filterdeckel entfernen, um Schäden an der Dichtung und der Verschlussoberfläche des Deckels zu verhindern.
- Überprüfen Sie, dass alle Bestandteile des Filters sich in korrektem Zustand befinden und, dass der Filterstern bzw. der Düsenboden korrekt befestigt sind, da diese durch den Transport eventuell gelöst oder beschädigt wurden.
- Den Filter bis ca. zur Hälfte mit Wasser füllen.
- Nun füllen wir den Sand in den Filter. Es ist wichtig zu berücksichtigen, dass vorerst eine Schicht Sand bis ca. 10 cm über dem Kollektor eingefüllt wird, die eine Korngröße von mind. grösser als die Schlitze im Filterstern bzw. im Düsenboden aufweist, damit der restliche Sand oberhalb getragen wird, ohne dass dieser durchrinnen kann. Dieses Verfahren muss mit grösster Vorsicht durchgeführt werden, um die inneren Bestandteile des Filters nicht zu beschädigen. Während dem der Filter mit Sand gefüllt wird, vorsichtig den Sand auf der gesamten Oberfläche des Filters verteilen.
- Den Sand mit der gewünschten Korngröße bis auf die max. Filtrierungshöhe einfüllen.
- Die Oberfläche des Filterhalses, die Dichtung und den Deckel sorgfältig reinigen, bevor die Montage durchgeführt wird. Wir empfehlen ebenfalls, die Schrauben bevor die Muttern aufgeschraubt werden, einzufetten.
- Den Filter schliessen in dem die Dichtung in ihre korrekte Position gestellt wird.
- Sobald der Filter gefüllt und korrekterweise geschlossen ist, muss ein Filterwaschvorgang durchgeführt werden. Dazu bitten wir Sie, die Anweisungen im entsprechenden Kapitel des Filterwaschvorganges zu befolgen.

7. NORMALER BETRIEBSABLAUF

7.1 FILTRIERUNG (Fig. 4)

Mit ausgeschalteter Pumpe die Ventile auf Position Filtrierung stellen.

Während des Betriebsablaufes des Filters empfehlen wir, regelmässig den Manometer zu überprüfen und einen Filterwaschvorgang vorzunehmen, wenn der Druck gleich oder höher als 0,8 Kg/cm² anzeigt.

Gemäss der Verschmutzung des Filterelementes durch den Gebrauch des Filters, erhöht sich der Druck beim Eingangsmanometer und der Arbeitsdruck des Ausgangsmanometers verringert sich.

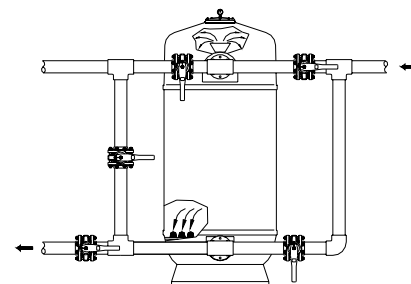


Fig. 4

7.2 WASCHVORGANG (Fig. 5)

Die Sandfüllung (Filterelement) bildet Tausende von Kanälen durch das durchfliessende Wasser, und behält logischerweise Verschmutzungen und feste Rückstände zurück, welche im Wasser mitfliessen. Mit der Zeit verstopfen diese Rückstände die Wasserkanäle, wodurch die Reinigung des Filters regelmässig notwendig ist, damit dieser unter optimalsten Arbeitsbedingungen funktionieren kann und damit die im Filterelement zurückbehaltene Schmutzigkeit durch den Abfluss entleert werden kann.

Wir empfehlen einen Waschvorgang mit Wasser während 7 Min. mit einer Geschwindigkeit von 40-50 m³/Std./m² durchzuführen.

Es ist ebenfalls empfehlenswert, ein Klarsichtglas an der Abflussverrohrung anzubringen, damit während dem man einen Waschvorgang vornimmt, die Schmutzigkeit des Wassers aus dem Filter beobachtet und somit die Dauer des Waschvorganges bestimmt werden kann.

Um den Waschvorgang durchzuführen, IMMER BEI ABGESCHALTENER PUMPE die Ventile in die entsprechende Position einstellen.

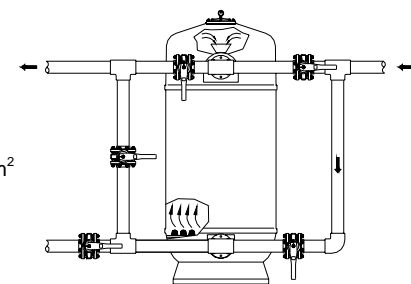


Fig. 5

7.2.1 WASCHVORGANG MIT LUFT UND WASSER (NUR FÜR FILTER MIT DÜSENBODEN ODER DOPPELKOLLEKTOR)

Luft wird angewandt, um das Filterelement zu verlagern und einen Siedeeffekt zu simulieren. Dadurch wird ein wirksamerer Waschvorgang in weniger Zeit und somit als Resultat eine wichtige Einsparung an Wasser beabsichtigt.

Dieser Vorgang wird in drei Phasen durchgeführt :

1. Luftspritzung mit einer Geschwindigkeit von ca. 60 m/Std.
2. Wassereinspritzung mit einer Geschwindigkeit von ca. 50 m/Std.
3. Luft- und Wassereinspritzung mit einer Geschwindigkeit von nicht höher als 50 m/Std.

7.3 SPÜLVORGANG (Fig.6)

Dieser Vorgang empfehlen wir, direkt nach dem WASCHVORGANG vorzunehmen. Der Spülvorgang bezweckt, die restlichen Rückstände, welche möglicherweise während dem Waschvorgang durch die Kollektoren eingedrungen sind, zum Abfluss auszutossen.

Dieser Vorgang dauert ca. 3 Min. und verhindert, das trübes Wasser in das Becken fließt.

Für diesen Vorgang stellen Sie die Ventile in die entsprechende Position (IMMER MIT ABGESCHALTENER PUMPE), um sofort danach diese in die übliche Position Filtrierung zurückzustellen.

Die Spülposition besteht nur bei einer Batterie mit 5 Ventilen.

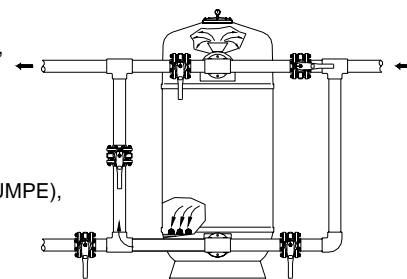


Fig. 6

7.4 ENTLEERUNG (Fig.7)

Wird die Entleerung des Schwimmbeckens notwendig und für den Fall, dass ein Abfluss auf dem Beckenboden mit Anschluss direkt mit dem Abwasserkanal nicht verfügbar wäre, kann man die Entleerung mittels der Pumpe das Filters, indem man die Ventile auf die entsprechende Position Entleerung stellt, durchführen.

Dazu und bevor die Entleerung eingeschaltet wird, ist es notwendig, dass die Ventile der Skimmer, Wasserüberlaufrinnenkanäle und Bodenreiniger geschlossen sind.

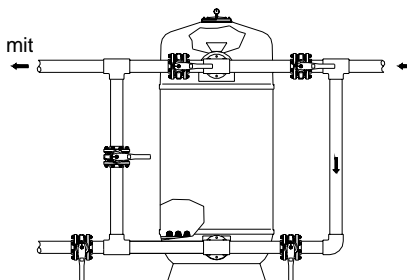


Fig. 7

7.5 GESCHLOSSEN

Wie der Name bereits wissen lässt, bedeutet dies dass alle Ventile der Batterie geschlossen sind.

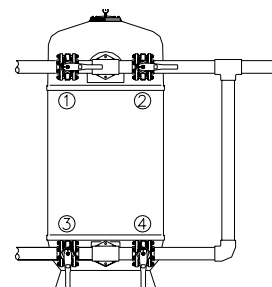
Diese Position wird zwecks auszuführenden Arbeiten am Filter, Reinigungen des Vorfilters, etc. benötigt.

8. VENTILBATTERIEN, POSITION WÄHREND JEDEM VORGANG

8.1 BATTERIEN MIT 4 VENTILEN

Siehe nachfolgend aufgeführte Tabelle für Batterien mit 4 Ventilen:

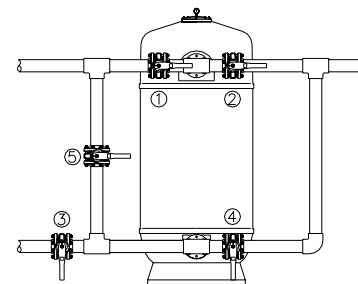
POSITION	1	2	3	4
FILTRIEREN	Geschlossen	Offen	Offen	Geschlossen
WASCHEN	Offen	Geschlossen	Geschlossen	Offen
ENTLEEREN	Offen	Offen	Geschlossen	Geschlossen
GESCHLOSSEN	Geschlossen	Geschlossen	Geschlossen	Geschlossen



8.2 BATTERIEN MIT 5 VENTILEN

Siehe nachfolgend aufgeführte Tabelle für Batterien mit 5 Ventilen:

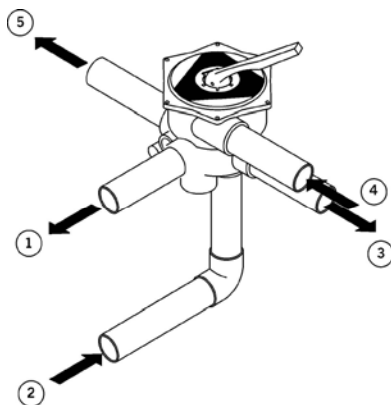
POSITION	1	2	3	4	5
FILTRIEREN	Geschlossen	Offen	Offen	Geschlossen	Geschlossen
WASCHEN	Offen	Geschlossen	Geschlossen	Offen	Geschlossen
SPULEN	Geschlossen	Offen	Geschlossen	Geschlossen	Offen
ENTLEEREN	Offen	Offen	Geschlossen	Geschlossen	Geschlossen
GESCHLOSSEN	Geschlossen	Geschlossen	Geschlossen	Geschlossen	Geschlossen



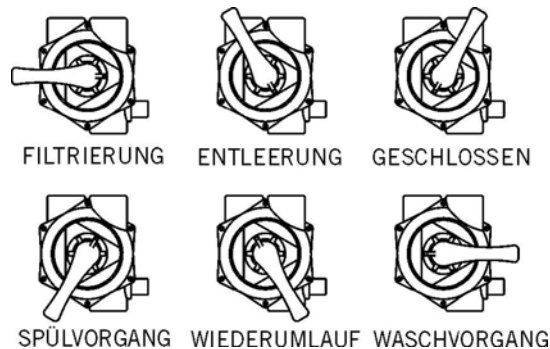
ACHTUNG: Es ist wichtig, dass für jede Position der Motor der Pumpe ausgeschaltet ist.

8.3 MEHRWEG-VENTIL

Das Mehrweg-Ventil verfügt über einen Hebel mit 5 Positionen, mit welchem alle für ein einwandfreies Funktionieren des Filters notwendigen Vorgänge gewählt werden können.



1. Filtereingang
2. Filterausgang
3. rückströmung direkt ins Schwimmbad, ohne durch den Filter zu fließen.
4. Von der Pumpe
5. Entleerung



ACHTUNG: Eine Positionsänderung des Mehrweg-Ventiles immer nur mit ausgeschalteter Pumpe ausführen.

9. ENTLERUNG DES SANDES AUS DEM FILTER

Während der Entleerung des Sandes aus dem Filter, aufgrund eines Unfalles oder aufgrund von Abnutzung des Sandes, bitte folgende Anweisungen befolgen:

1. Das Wasser aus dem Filter entleeren.
2. Das Sand aus dem Filter entleeren.
3. Um den Filter wieder mit Sand zu füllen, bitten wir Sie die Anweisungen der INBETRIEBNAHME zu befolgen.

Nützen Sie die Gelegenheit während der Entleerung des Filters, um die inneren Bestandteile zu überprüfen (hauptsächlich den Kollektor) und falls notwendig beschädigte Teile zu ersetzen.

10. ANDERE WICHTIGE EMPFEHLUNGEN

Die innere Montage, Anzahl Kollektoren und Anzahl Difusoren hängen von der Grösse und der Art des Filters ab. Die Funktion des oder der Difusoren besteht darin, das Wasser mehr oder weniger gleichmässig über dem Filterelement zu verteilen. Die Funktion der Kollektoren ist das gefilterte Wasser aufzufangen und Richtung Ausgang des Filters zu leiten.

Jeder Filter ist mit einer handbetrieblener Entlüftung auf der oberen Seite des Filters ausgestattet. Alle Filter verfügen ebenfalls über eine Öffnung zur Entleerung des Wassers (von Hand erreichbar) auf der unteren Seite des Filters.

Sobald die Installation des Schwimmbeckens beendet ist, empfehlen wir, den Filter mit auf Druck eingespritztem Wasser von Staub oder Schmutz, welcher während der Bau- oder Installationsarbeiten zurückgeblieben ist, zu reinigen.

Ist die Installation über eine längere Zeit stillgelegt, wird eine Entleerung des Wassers aus dem Filter empfohlen.

Die im Freien eingebautenen Filter können wegen der Sonnenstrahlen Farbintensität und Glanz verlieren. Um dies zu verhindern, sollten die Filter nicht direkt an den Sonnenstrahlen ausgesetzt werden.

11. INSTANDHALTUNG

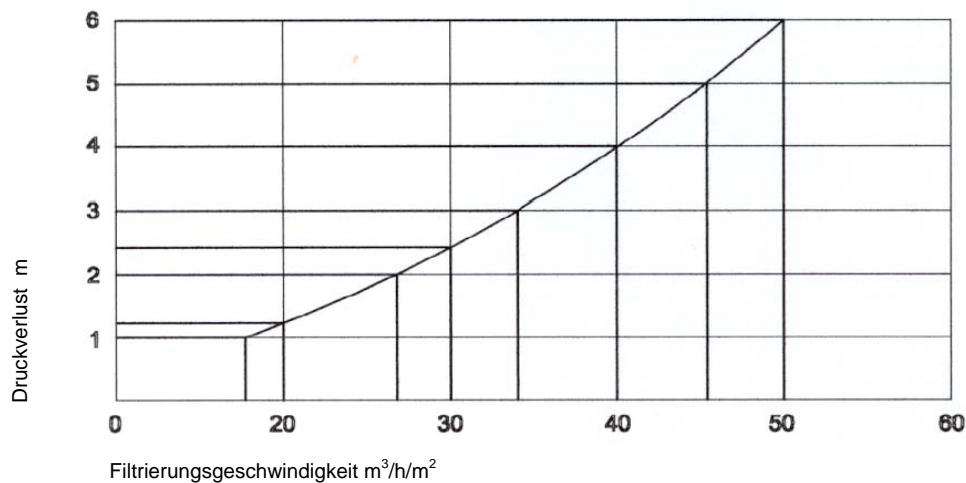
Eine regelmässige und intensive Reinigung ist für die Instandhaltung Ihres Schwimmbeckens wichtig. Dies beeinflusst eine Arbeitseinsparung, eine längere Dauer Ihrer Anlage und ein höhere Qualität Ihres Wassers.

Führen Sie eine korrekte Instandhaltung Ihrer Filteranlage (Pumpen, Ventile, etc.) gemäss den Anweisungen des Herstellers durch.

Überprüfen Sie regelmässig das Filterelement und alle Bestandteile des Filters (Diffusoren, Filterstern, Entlüftung und Wasseröffnung, Verrohrung, Dichtungen, etc.) sowie auch den Filterkörper aus Polyester, um falls notwendig die beschädigten Teile zu ersetzen oder reparieren. Reinigen Sie den Filter mit auf Druck eingespritztem Wasser regelmässig, um den über die Zeit angesammelten Staub zu entfernen. Wenden Sie keine Lösungsmittel an, welche die Teile aus Kunststoff oder das Klarsichtglas beschädigen könnten.

Müssen Sie Ihr Schwimmbecken über die Winterzeit schliessen, entleeren Sie korrekterweise die gesamte Anlage, um diese vor Bildung von Eis, welcheschadhaft sein könnte, zu schützen.

12. TABELLE DRUCKVERLUSTE DER FILTERANLAGEN MIT SAND UND VENTILBATTERIEN



13. VORSICHTSMASSNAHMEN

Immer die Pumpe ausschalten, wenn Ventile eingestellt werden.

Nie Filter direkt an das Trinkwassernetz anschliessen, da der Druck hoch sein könnte und diese den max. Wert des erlaubten Arbeitsdruckes des Filters übersteigen könnte.

Wir erinnern Sie, dass es sehr wichtig ist, dass die Halterungen der Klappen aufgesetzt werden, um somit zu verhindern, dass die Filteranschlüsse beschädigt werden.

Die Filter sind speziell widerstandsfähig gegenüber von innerem Druck, was dem eigentlichen Zweck des Filters entspricht, nichtsdestotrotz sind diese jedoch unbedingt gegenüber von Schlägen zu schützen.

Ist die Anlage mit mehr als einem Filter ausgestattet, muss die Batterie über ein Ventil für jeden einzelnen Anschluss verfügen, um eine komplette Isolierung des Filters zu erlauben.

Man darf auf gar keinen Fall den auf dem Kennschild des Filters angegebene max. erlaubte Arbeitsdruckwert überschreiten.

Die Anlage NIE ohne Wasser verwenden.

14. MÖGLICHE FEHLFUNKTIONEN

PROBLEM	URSACHE	LÖSUNG
Fehlender Wasserdurchfluss des gefilterten Wassers	Filter ist schmutzig Das Schmutzsieb ist verstopft	Waschvorgang durchführen Schmutzsieb reinigen
Im Filterelement werden Fremdkörper beobachtet	Bildung vorrängiger Kanäle, fehlende Waschvorgänge oder Kollektordefekt.	Waschvorgang durchführen Sand entleeren und überprüfen, ob die Kollektoren gebrochen sind und den Sand austauschen.
Der Manometer zeigt extreme Schwankungen an	Die Pumpe hat Luft abgekriegt. Ansaugung halb verschlossen.	Gesamte Anlage überprüfen und mögliche Fugen beheben. Überprüfen, dass die Ansaugventile komplett geöffnet sind.
Sand aus dem Filter ist im Schwimmbecken vorhanden	Gebrochener Kollektor	Kollektor reparieren
Der Sand entweicht in den Abfluss während des Waschvorganges	Zu starker Wasserdurchfluss während dem Waschvorgang	Wasserdurchfluss während dem Waschvorgang verringern

IMPORTANTE: Este manual contém a informação fundamental sobre as medidas de segurança a adoptar na instalação e colocação em funcionamento. Para isso é imprescindível que tanto o instalador como o utilizador leiam as instruções antes de iniciarem a montagem e colocação em funcionamento.

“Para obter um óptimo rendimento do filtro, é conveniente observar as instruções que a seguir se indicam”

1. VERIFIQUE A EMBALAGEM

Verificar se o filtro e todos os seus componentes se encontram em bom estado depois do transporte. Junto ao filtro se encontra uma caixa que contém os manómetros e outros acessórios auxiliares que incluem este manual. Também se encontra a documentação necessária de garantia e certificado de prova.

2. CARACTERÍSTICAS GERAIS

Os filtros são sem dúvida os acessórios mais importantes para a filtração da água. A sua utilização tem por objecto eliminar as matérias em suspensão e clarear a água.

A eficácia de uma correcta filtração consiste em reter as partículas em suspensão que transporta a água durante a passagem através do leito de areia filtrante.

O processo de filtração e depuração da água inclui toda uma variedade de elementos a ter em conta além de filtros, tais como bombas, tratamentos químicos da água, acessórios do tanque da piscina para assegurar o retorno e a aspiração da água, bem como os restantes elementos capazes de assegurar uma correcta circulação e manutenção da qualidade da água.

Normalmente cada país possui as suas normas para piscinas públicas e privadas e nelas se devem basear os instaladores antes de realizar qualquer projecto ou instalação. Para isso devem definir os elementos e materiais do projecto respeitando as normas estabelecidas.

A qualidade da filtração depende de vários parâmetros: concepção do filtro e a sua forma, tipo de colector de água por braços colectores ou placa de crepinas, altura do leito filtrante, características e granulometria da massa filtrante, etc. Assim, a velocidade de filtração é uma característica determinante para obter uma boa qualidade de filtração pelo que se recomenda não ultrapassar a velocidade de 40 m³/h/m².

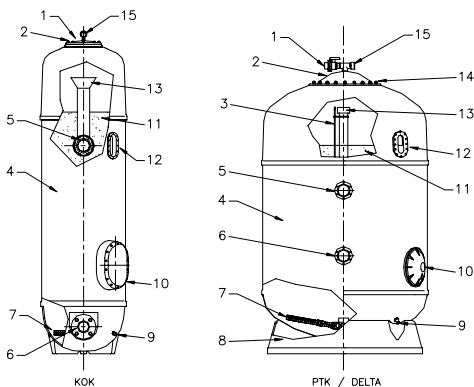
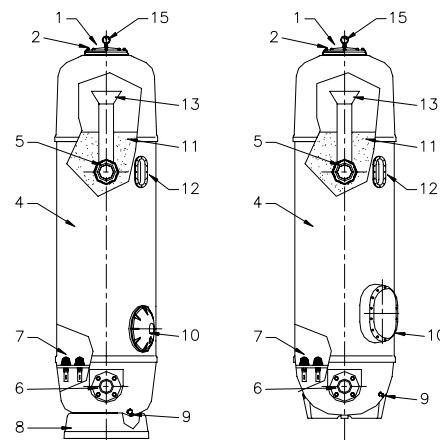
Os filtros são fabricados com resina de poliéster e fibra de vidro, materiais que conferem a propriedade de serem totalmente anticorrosivos à acção da água da piscina. No seu interior incorporam colector e difusor de material de plástico inalterável (PVC e PP). Além disso, são resistentes à água salgada.

A capa especial de revestimento da parede interior confere uma elevada resistência ao desgaste e abrasão. Além disso, por encomenda, podem ser fornecidos com revestimento de alta resistência química.

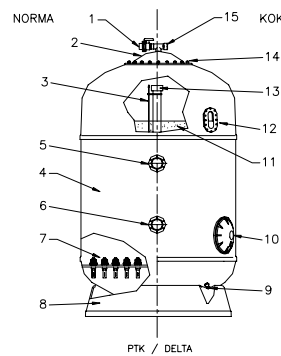
3. IDENTIFICAÇÃO DOS COMPONENTES

Os componentes podem variar, segundo o modelo, em tamanho e posição, ou não estar presentes.

1. Purga de ar manual
2. Tampa e boca de carga de areia e entrada de inspecção
3. Purga de ar
4. Corpo do filtro em poliéster reforçado a F.V.
5. Ligação entrada água suja
6. Ligação saída água limpa
7. Sistema colector da água por braços colectores / placa de crepinas
8. Base em poliéster reforçada com F.V.
9. Descarga da areia e água
10. Boca lateral
11. Meio filtrante
12. Mira
13. Sistema difusor da água
14. Argolas para transporte (usar apenas com o filtro vazio)
15. Manómetro



Braços colectores



Placa de crepinas

4. CARACTERÍSTICAS DA INSTALAÇÃO

Para realizar uma correcta instalação é conveniente ter em conta os seguintes conselhos:

- Para realizar a lavagem do filtro combinam-se bombas e filtros para obter o caudal necessário de lavagem tendo em conta que a velocidade de lavagem pode ser de $40 \text{ m}^3/\text{h}/\text{m}^2$ (modelos com sistema colector mediante braços colectores a $60 \text{ m}^3/\text{h}/\text{m}^2$ (modelos com sistema colector mediante placas de crepinas).
- Para a lavagem do filtro com ar (modelos com sistema colector mediante placa de crepinas ou duplo colector) se utilizará uma ou várias bombas turbosoprantes capazes de proporcionar o caudal necessário para lavar com ar a uma velocidade de $60\text{m}/\text{h}$ a 300 mbar . Nunca se deverá utilizar um compressor pois poderá danificar o filtro por excesso de pressão.
- É recomendável instalar os filtros abaixo do nível da água da piscina e o mais próximo possível do tanque.
- É conveniente que a caseta onde estão instalados os filtros tenha ventilação e os esgotos adequados para que, em caso de acidente a água possa sair da tubagem, filtro, bomba, etc, possa ser evacuada, evitando assim o risco de danos nas instalações existentes (bombas, quadros eléctricos, etc.). Se por qualquer motivo não possa dispor de esgotos, deve instalar um sistema alternativo automatizado para evacuar a água.

5. INSTALAÇÃO

Os filtros são entregues convenientemente embalados e devido ao seu peso, tamanho e às dificuldades existentes para a sua colocação em obra, recomenda-se que a manipulação e transporte dos mesmos se realize com meios mecânicos.

Os filtros são de material plástico, e ainda que sejam perfeitamente resistentes à pressão interna para a qual foram fabricados, são frágeis face a pancadas e por isso, é muito importante assegurar que os filtros não se danificam nas bases, no corpo e nas ligações durante a instalação e manutenção dos mesmos.

Para as ligações, utilizar sempre acessórios de plástico e evitar que as ligações sejam forçadas.

A carga de areia deve realizar-se uma vez instalado o filtro no seu local definitivo e seguindo as instruções de secção "colocação em funcionamento".

Dado que os filtros requerem revisões periódicas e preparativos para eventuais intervenções no seu interior, é imprescindível deixar um espaço mínimo livre à volta dos filtros. (fig.1)

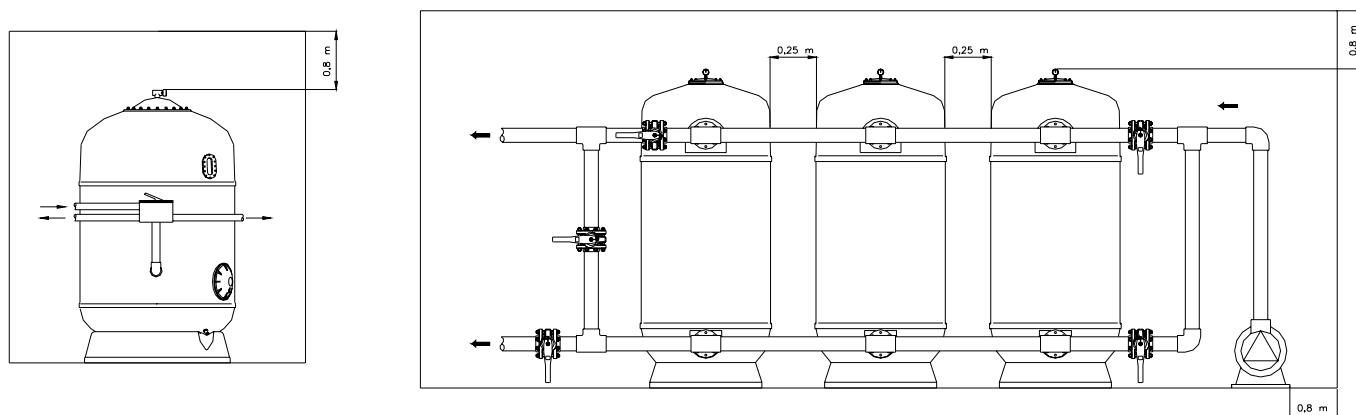


Fig. 1

As fases a seguir para um correcta instalação dos filtros são as seguintes:

- Colocar os filtros no seu local definitivo tendo em conta que a base deverá ficar completamente apoiada no solo e sobre um plano totalmente horizontal. (Fig.2).
- Montar as válvulas correctamente nos filtros, evitando que as ligações sejam forçadas. Ter em conta que a estanqueidade das uniões se faz através de juntas, pelo que não é necessário apertar as porcas em demasiado. Não utilizar cinta de teflon.
- Instalar os suportes das válvulas adequados e regulá-los correctamente em altura.
- Ligar a válvula com as tubagens de impulsão das bombas, a tubagem de retorno à piscina e atubagem de esgoto.

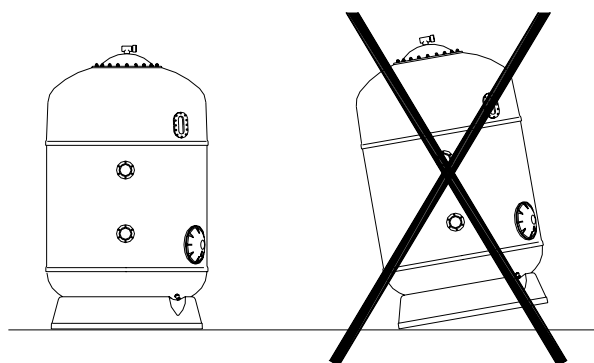


Fig. 2

5.1 INSTALAÇÃO DOS MANÓMETROS (Fig. 3)

É aconselhável colocar um manómetro na saída do filtro.

Os manómetros indicam quando deve ser feita a lavagem do filtro. Por exemplo, num filtro limpo a pressão de entrada assinalada oscila entre 0,8 e 1 Kg/cm² e a pressão de saída assinalada oscila entre 0,4 e 0,6 Kg/cm². Quando o diferencial de pressão entre o manómetro de entrada e o de saída for de 1 Kg/cm² ou superior, então será necessário realizar a lavagem do filtro.



Fig. 3

6. COLOCAÇÃO EM FUNCIONAMENTO

- Retirar a tampa do filtro procurando evitar danos na junta e na superfície de fecho da tampa.
- Verificar que todos os componentes do filtro estão em bom estado e assegurar que os braços colectores ou crepinas estão completamente fixos uma vez que durante o transporte pode existir danificação.
- Encher de água até metade do filtro, aproximadamente.
- Introduzir a areia tendo em conta que primeiro deve introduzir-se uma capa de suporte de tamanho mínimo superior à ranhura dos braços colectores ou crepinas até cobrir aproximadamente 10 cms. Esta operação deve realizar-se com muito cuidado para não danificar os componentes interiores do filtro. À medida que se enche o filtro com areia, ter a precaução de repartir a areia por toda a superfície do filtro.
- Introduzir a areia do tamanho desejado até ao limite máximo da altura de filtração.
- Limpar muito bem a superfície do filtro e a tampa antes de efectuar a montagem. É aconselhável também lubrificar os parafusos antes de colocar as porcas.
- Fechar o filtro colocando a junta na posição correcta.
- Depois de carregado e convenientemente fechado o filtro, é necessário efectuar uma lavagem do filtro. Para tal proceder segundo instruções na secção de lavagem do filtro.

7. CICLOS DE FUNCIONAMENTO

7.1 FILTRAÇÃO (Fig. 4)

Com a bomba parada colocar as válvulas na posição que indica o quadro na posição de filtração.

Durante o funcionamento do filtro é conveniente observar periodicamente o manómetro e efectuar uma lavagem do filtro quando a diferença de pressão é igual ou superior a 0,8 – 1 Kg/cm².

À medida que o leito filtrante se vai sujando a entrada experimenta um aumento de pressão ao mesmo tempo que a saída sofre uma redução da sua pressão de trabalho.

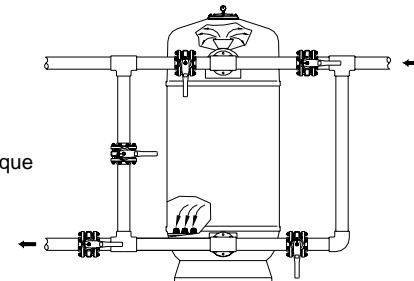


Fig. 4

7.2 LAVAGEM (Fig. 5)

A carga de areia (leito filtrante) forma inúmeros canais de passagem da água que logicamente recolhe as impurezas e sólidos que acompanham a água a filtrar. Com o tempo, estes resíduos bloqueiam os canais de passagem da água, pelo que periodicamente é necessário limpar o filtro para deixá-lo em condições óptimas de trabalho e verter para o esgoto a sujidade que havia no leito filtrante.

Recomenda-se uma lavagem com água durante 7 minutos a uma velocidade entre 40-50 m³/h/m².

É aconselhável colocar um visor na tubagem de esgoto de forma a que quando se realiza uma lavagem se possa observar a sujidade de água procedente do filtro e assim poder determinar a duração da lavagem.

Para efectuar a operação de lavagem, SEMPRE COM A BOMBA PARADA colocar as válvulas na posição que se indica no quadro.

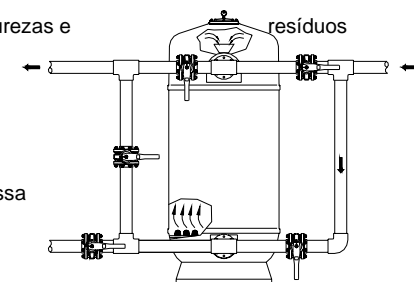


Fig. 5

7.2.1 LAVAGEM COM AR E ÁGUA (APENAS PARA FILTROS COM PLACA DE CREPINAS OU DUPLO COLECTOR)

Utiliza-se ar para conseguir um deslocamento do leito e simular uma ebulição do mesmo. Pretende-se uma melhor eficácia de lavagem com um menor tempo e obtendo uma substancial poupança de água.

Este procedimento é realizado em 3 fases:

1. Injecção de ar a uma velocidade aproximada de 60 m/h.
2. Injecção de água a uma velocidade aproximada de 50 m/h.
3. Injecção de água e ar a uma velocidade não superior a 50 m/h.

7.3 ENXAGUAMENTO (Fig.6)

Operação recomendada para efectuar imediatamente depois da lavagem que tem por objectivo enviar para o esgoto os restos de resíduos que possam ter penetrado nos colectores durante a lavagem do filtro.

Esta operação deve realizar-se em espaços de 3 minutos aproximadamente e evitará que as águas turvas circulem na piscina.

Para efectuar esta operação situar as válvulas na posição que se indica no quadro (sempre com a bomba parada) e imediatamente depois passar à posição de filtração.

A posição de enxaguamento apenas pode realizar-se se a bateria é de 5 válvulas.

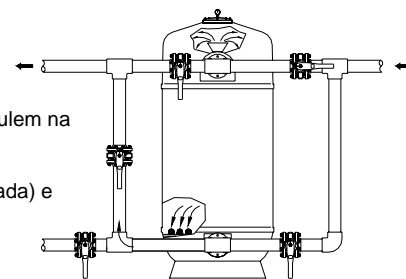


Fig. 6

7.4 VAZAMENTO (Fig.7)

Quando seja necessário vaziar a piscina e, caso esta não disponha de esgoto no fundo, ligado directamente a uma conduta, pode efectuar-se o vazamento através da bomba do filtro situando as válvulas na posição que indica o quadro, na secção vazamento.

Para isso e antes de proceder ao vazamento, é necessário que as válvulas dos skimmeres, caleirae aspiração estejam fechadas.

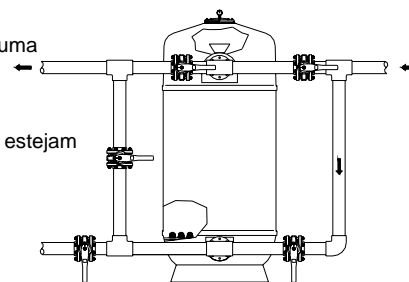


Fig. 7

7.5 FECHO

Tal como o nome indica todas as válvulas da bateria estão fechadas.

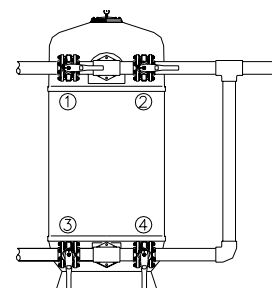
Esta operação é utilizada para efectuar a manutenção do filtro, limpeza do prefiltro, etc.

8. BATERIAS DE VÁLVULAS. POSIÇÃO DAS MESMAS EM CADA OPERAÇÃO

8.1 BATERIAS DE 4 VÁLVULAS

Quadro de manobras para as baterias de 4 válvulas:

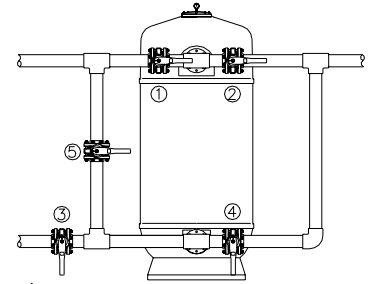
POSIÇÃO	1	2	3	4
FILTRAÇÃO	Fechada	Aberta	Aberta	Fechada
LAVAGEM	Aberta	Fechada	Fechada	Aberta
VAZAMENTO	Aberta	Aberta	Fechada	Fechada
FECHO	Fechada	Fechada	Fechada	Fechada



8.2 BATERIAS DE 5 VÁLVULAS

Quadro de manobras para as baterias de 5 válvulas.

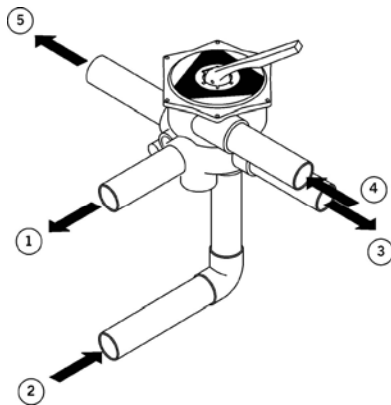
POSIÇÃO	1	2	3	4	5
FILTRAÇÃO	Fechada	Aberta	Aberta	Fechada	Fechada
LAVAGEM	Aberta	Fechada	Fechada	Aberta	Fechada
ENXAGUAMENTO	Fechada	Aberta	Fechada	Fechada	Aberta
VAZAMENTO	Aberta	Aberta	Fechada	Fechada	Fechada
FECHO	Fechada	Fechada	Fechada	Fechada	Fechada



ATENÇÃO: É importante que para efectuar qualquer das manobras descritas nos quadros, o motor da bomba esteja parado.

8.3 VÁLVULA SELECTORA

Neste tipo de válvula cada posição corresponde a uma operação diferente:



1. Entrada no filtro
2. Saída do filtro
3. Retorno
4. Da bomba
5. Esgoto



ATENÇÃO: não se deve alterar a posição da válvula selectora com a bomba em funcionamento

9. VAZAMENTO DA AREIA DO FILTRO

No momento que se vaz a filtro de areia, por ter havido algum acidente ou para mudança de areia desgastada, proceder da seguinte forma:

1. Vazar a água do filtro.
2. Vazar a areia do filtro.
3. Para voltar a encher o filtro de areia, seguir as instruções de colocação em funcionamento.

Aproveite o facto do filtro estar sem areia para verificar todos os componentes interiores, principalmente o colector e substituir aqueles que possam estar danificados.

10. OUTRAS RECOMENDAÇÕES DE INTERESSE

Na montagem interior, o número de colectores e difusores varia de acordo com o tamanho e o tipo do filtro. A função dos difusores é de distribuir a água o mais uniformemente possível sobre o leito filtrante. A função dos colectores é de recolher a água previamente filtrada até à saída do filtro.

Cada filtro está equipado com uma purga manual de ar instalada na parte superior do filtro. Assim, todos os filtros dispõem de uma purga manual de água instalada na parte inferior.

Logo que a instalação da piscina esteja terminada, é aconselhável dar ao filtro uma boa limpeza com água à pressão para limpar todo o pó ou sujidade procedente dos trabalhos com construção ou instalação.

No caso de ter a instalação parada durante um largo período, é aconselhável vaz a filtro de água.

Os filtros instalados no exterior podem perder brilho e intensidade de cor; tal facto deve-se à acção dos raios solares, pelo que se recomenda que estes não incidam directamente sobre o filtro.

11. MANUTENÇÃO

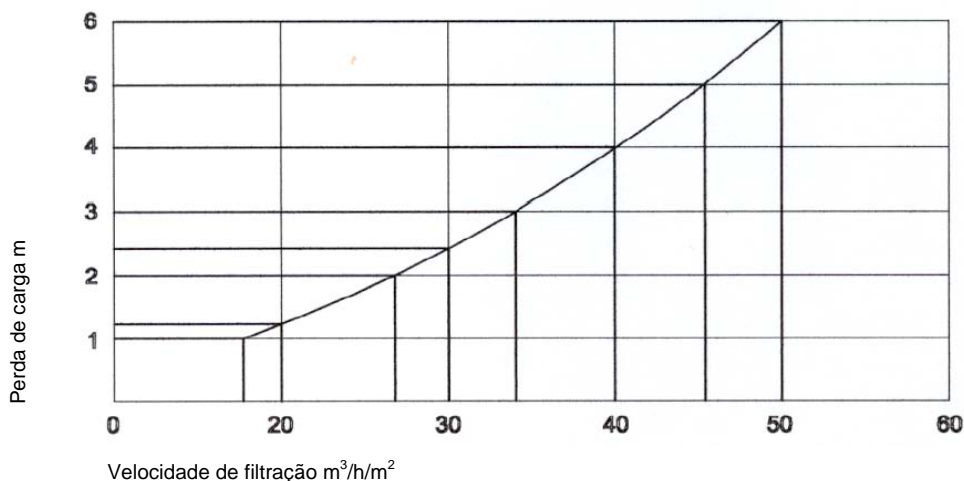
Uma limpeza regular e a fundo é necessária para a manutenção da sua piscina, isto permitirá uma redução de trabalho, uma maior durabilidade do equipamento e uma melhor qualidade da água.

Realize uma correcta manutenção do equipamento de filtração (bombas, válvulas, etc...) seguindo as recomendações do fabricante. Verifique periodicamente o meio filtrante e todos os componentes do filtro (difusores, braços colectores, purgas de água e ar, tubagem, juntas, etc...) incluindo o corpo de poliéster substituindo ou reparando as partes danificadas.

Limpe o filtro com água a pressão periodicamente para retirar o pó acumulado com o passar do tempo. Não utilize dissolventes que possam danificar as partes plásticas ou o difusor.

Se fechar a sua piscina durante o inverno, vaze adequadamente todo o equipamento para evitar que o gelo o danifique.

12. TABELAS DE PERDAS DE CARGA DOS FILTROS DE AREIA E BATERIA DE VÁLVULAS



13. CONSELHOS DE SEGURANÇA

Parar a bomba sempre que se pretende manobrar alguma válvula.

Não ligar o filtro directamente à rede de água potável, uma vez que a pressão da mesma pode ser efectuada e exceder a pressão máxima de trabalho autorizada do filtro.

Recorde que é muito importante colocar os suportes das válvulas para evitar que se rompam as ligações do filtro.

Os filtros são altamente resistentes à pressão interior para o que foram desenhados, mas são frágeis face a golpes exteriores. Se a instalação consta de mais de um filtro instalado na mesma bateria deve prover uma válvula em cada uma das ligações para permitir o completo isolamento do filtro.

Em nenhum caso deve ser superada a pressão máxima autorizada de trabalho indicada na placa de características do filtro.

Os filtros não estão concebidos para suportar o esvaziamento parcial no seu interior, pelo que deve evitar-se que esta situação ocorra.

14. POSSÍVEIS AVARIAS

PROBLEMAS	CAUSAS	SOLUÇÃO
Falta de caudal de água filtrada	O filtro está sujo O cesto está obstruído	Efectuar uma lavagem Limpar o cesto
Marcas no leito filtrante	Formação de canais preferenciais, falta de lavagem ou defeito no colector	Proceder a uma lavagem Vazar a areia e observar se há ruptura nos colectores e substituir a areia
O manómetro oscila violentamente	A bomba contém ar Aspiração semi-fechada	Verificar toda a instalação e eliminar as possíveis fugas Verificar se as válvulas de aspiração estão completamente abertas.
Existe areia procedente do filtro da piscina	Ruptura no sistema colector	Reparar o sistema colector
A areia vai para o esgoto durante a lavagem	Excesso de caudal de água de lavagem ou do nível de areia	Reduzir o caudal da água de lavagem ou o nível de areia

UWAGA: Instrukcja obsługi, która znajduje się w Państwa posiadaniu, zawiera podstawową informację w zakresie środków bezpieczeństwa, które trzeba mieć na uwadze podczas instalowania i rozruchu. W związku z powyższym, zarówno osoba instalująca jak i użytkownik powinni zapoznać się z instrukcją przed przystąpieniem do montażu i uruchamiania.

1. SPRAWDZANIE OPAKOWANIA

Należy sprawdzić czy filtr oraz jego elementy nie uległy uszkodzeniu podczas transportu.

Obok filtru znajduje się pudełko, które zawiera manometry oraz inne wyposażenie pomocnicze, m.in. instrukcję obsługi. Opakowanie zawiera również niezbędną dokumentację: gwarancję oraz świadectwo próby.

2. INFORMACJA OGÓLNA

Filtry są niewątpliwie najważniejszymi przyrządami przeznaczonymi do filtracji wody. Ich zadaniem jest usuwanie cząstek zawiesin oraz oczyszczanie wody.

Prawidłowo przeprowadzona filtracja wpływa na wynik odkażania. Fizyczna zasada filtracji opiera się na zatrzymaniu cząstek zawiesin naniesionych przez wodę przy jej przepływie przez piaskową warstwę filtracyjną.

W procesie filtracji i oczyszczania wody oprócz filtrów biorą jeszcze udział inne elementy takie jak pompy, obróbka chemiczna wody, akcesoria pojemnika basenu, które mają za zadanie zapewnić przepływ wsteczny i zasysanie wody oraz reszta elementów, dzięki którym zapewniony zostaje prawidłowy obieg wodny i utrzymanie odpowiedniej jakości wody.

W każdym kraju zazwyczaj obowiązują wewnętrzne zarządzenia, regulujące funkcjonowanie basenów publicznych i prywatnych, do których to zarządzeń powinny zastosować się osoby instalujące przed przystąpieniem do wykonywania jakiegokolwiek projektu lub instalacji. W związku z tym, osoby instalujące powinny przygotować projekt i ustalić jakie elementy i materiały zostaną użyte w oparciu o obowiązujące zarządzenia.

Jakość filtracji uzależniona jest od wielu czynników: od rodzaju filtru i jego kształtu, od rodzaju zbieracza (kolektora) zanieczyszczonej wody za pomocą ramion zbierających lub koszy ssawnych, od wysokości warstwy filtracyjnej, od właściwości i analizy granulometrycznej masy filtrującej itd. Podobnie szybkość z jaką następuje filtrowanie jest czynnikiem decydującym przy otrzymywaniu filtracji dobrej jakości – zaleca się nie przekraczanie 40 m/godz.

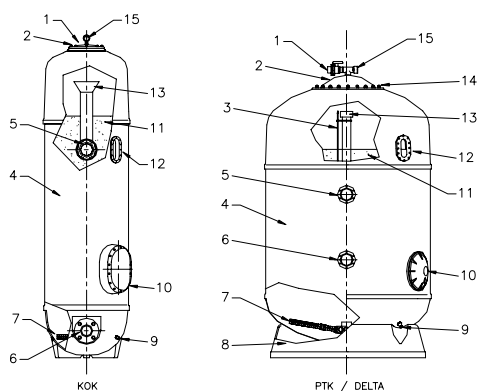
Filtry są produkowane z żywicy poliestrowej i włókna szklanego, a więc z materiałów, które nadają im właściwości całkowicie antykorozyjne na działanie wody w basenie. Wewnątrz zawierają one kolektor i dyfuzor z trwałego plastiku (PCW i polipropylenu). Ponadto są one odporne na słoną wodę.

Specjalna warstwa, która pokrywa ściankę wewnętrzną nadaje im wysoką odporność na zużycie i ścieranie oraz pozwala na przechowywanie wody pitnej. Ponadto, na specjalne zamówienie, istnieje możliwość dostarczenia filtru z warstwą z esteru winylu o dużej odporności chemicznej.

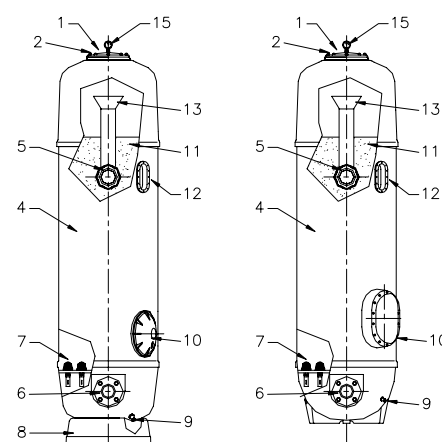
3. ROZPOZNAWANIE KOMPONENTÓW

Dla każdego modelu można zmieniać elementy wyposażenia oraz ich średnice i usytuowanie.

1. Ręczne odpowietrzanie
2. Pokrywa i otwór załadowczy piasku oraz wejście kontrolne
3. Odpowietrzanie
4. Korpus filtru z poliestru wzmocnionego włóknem szklanym
5. Podłączenie dopływu wody zanieczyszczonej
6. Podłączenie odpływu wody czystej
7. Układ kolektora wody za pomocą ramion zbierających i koszy ssawnych
8. Podstawa z poliestru wzmocnionego włóknem szklanym com F.V.
9. Wyładunek piasku
10. Otwór osobowy
11. Środowisko filtrujące
12. Wziernik
13. Układ dyfuzji wody
14. Ucho do podnoszenia przy transporcie (używać wyłącznie przy pustym filtrze)
15. Manometrem



Ramion zbierających



Koszy ssawnych

4. INFORMACJA DOTYCZĄCA INSTALACJI

W celu wykonania prawidłowej instalacji prosimy uwzględnić następujące kwestie:

- Odnośnie ilości pomp, które należy zainstalować, zaleca się zainstalowanie takiej samej ilości pomp i filtrów, przy czym każda pompa powinna mieć odpowiednie natężenie przepływu, które zagwarantuje wymaganą szybkość filtrowania.
- Radzimy, aby tłoczenie wszystkich pomp miało ujście do głównego rurociągu tłocznego skierowanego na filtry - w ten sposób przy filtrowaniu całości wody będą działały wszystkie pompy.
- Przy oczyszczaniu filtru wodą należy użyć zarówno pomp jak i filtrów, aby zapewnić odpowiednie natężenie przepływu, biorąc pod uwagę, że szybkość czyszczenia może wynosić od 40 m/godz. (dla modeli z układem kolektora za pomocą ramion zbierających) do 60 m/godz. (dla modeli z układem kolektora za pomocą koszy ssawnych).
- Przy oczyszczaniu filtru powietrzem (dla modeli z układem kolektora za pomocą koszy ssawnych lub o podwójnym kolektorze) należy zastosować jedną lub kilka turbodmuchaw, których natężenie przepływu przy czyszczeniu powietrzem powinno wynosić od 60 m/godz do 300 mbar. Nie wolno używać sprężarki, gdyż mogłaby ona spowodować uszkodzenie filtru przez nadmiar ciśnienia.
- Zaleca się zainstalować filtry poniżej poziomu wody w basenie i jak najbliżej pojemnika basenu.
- Wskazane jest, aby pomieszczenie, w którym zainstalowano filtry, było przewiewne i posiadało odpowiednie kratki ściekowe, aby w razie awarii woda wydostająca się z przewodu, filtru, pompy itp. mogła znaleźć ujście, unikając w ten sposób uszkodzeń instalacji (pomp, instalacji elektrycznej itp.). W przypadku braku kratki ściekowej należy zainstalować zautomatyzowany układ zastępczy, który pozwoli na ujście wody z pomieszczenia.

5. MONTAŻ

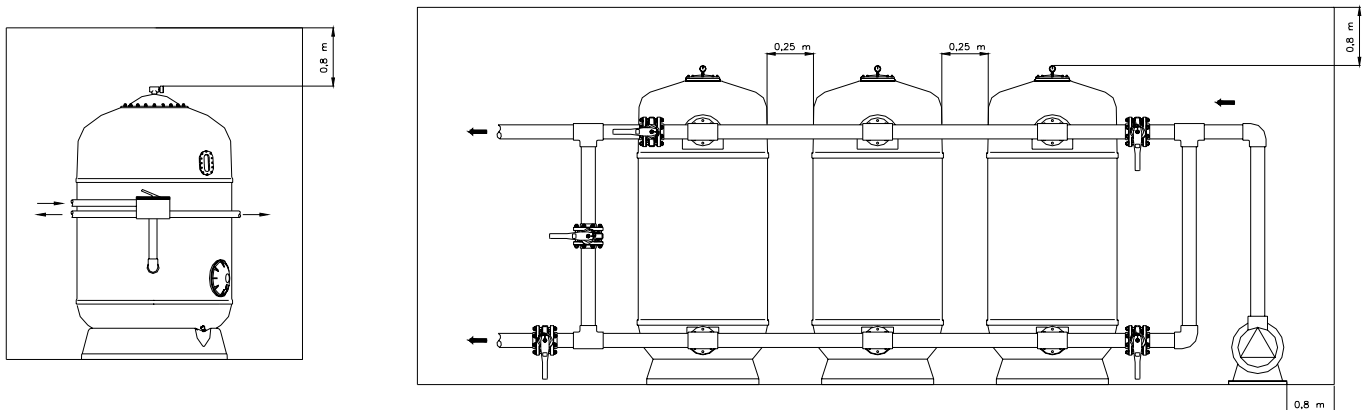
Filtry dostarczane są w odpowiednim opakowaniu i ze względu na ich wagę, wielkość oraz trudności związane z ich rozmieszczeniem podczas trwania budowy powinny być przenoszone przy pomocy urządzeń mechanicznych (wózków podnośnikowych, dźwigów itp.).

Filtry wykonane są z plastyku i chociaż zgodnie ze swym przeznaczeniem są bardzo odporne na ciśnienie wewnętrzne, są mało odporne na uderzenia, w związku z czym należy uważać, aby nie zostały one uderzone podczas montażu czy konserwacji, gdyż mogłaby ulec uszkodzeniu ich podstawa, obudowa czy połączenia.

Przy ich połączeniu należy postugiwać się wyłącznie przyrządami z plastyku i unikać zbyt silnego dokręcania.

Ładowanie piasku powinno nastąpić po zamontowaniu filtru w miejscu przeznaczenia, zgodnie z instrukcją zawartą w punkcie „Uruchamianie”.

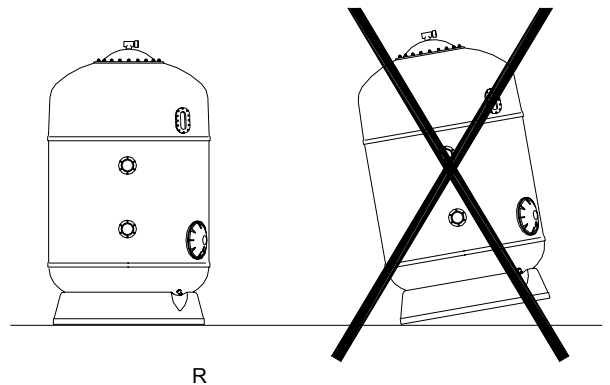
W związku z tym, że filtry wymagają okresowej kontroli oraz w celu zabezpieczenia ewentualnych prac w ich wnętrzu, koniecznie należy pozostawić minimum wolnego miejsca wokół filtrów i ponad nimi (rys. 1).



Rys. 1

W celu prawidłowego montażu filtrów, czynności należy wykonywać w następującej kolejności:

- Umieścić filtry w miejscu przeznaczenia, uważając, aby podstawa całkowicie opierała się na zupełnie poziomej płaszczyźnie (rys. 2).
- Prawidłowo zamontować w filtrach zawory, unikając zbyt silnego dokręcania połączeń. Należy wziąć pod uwagę, że szczelność łączy uzyskuje się przy pomocy uszczelki – nie należy, więc, zbyt mocno dokręcać nakrętek. Nie używać taśmy teflonowej.
- Zamontować odpowiednie podpory do zaworów i wyregulować je do prawidłowej wysokości.
- Podłączyć zawory do rurociągów tłocznych pomp, do przewodu rurowego przepływu wstecznego do basenu i do przewodu ściekowego.



Rys. 2

5.1 MANOMETREM (Rys. 3)

Zaleca się instalowanie urządzenia do pomiaru ciśnienia przy króćcu wylotowym z filtra.

Manometry wskazują kiedy należy przystąpić do czyszczenia filtra, np. jeżeli filtr jest czysty ciśnienie dopływowe wynosi od 0,8 do 1 kg/cm², a ciśnienie odpływowe od 0,4 do 0,6 kg/cm². Jeśli różnica ciśnienia między manometrem wejściowym i wyjściowym wynosi 0,8 kg/cm² lub więcej, należy przystąpić do czyszczenia filtra.



Rys. 3

6. URUCHAMIANIE

- Zdjąć pokrywę filtra, uważając, aby nie uszkodzić uszczelki oraz powierzchni zamykającej pokrywę.
- Sprawdzić czy wszystkie elementy filtra znajdują się w dobrym stanie i upewnić się, że ramiona zbierające lub kosze ssawne są właściwie przymocowane, gdyż mogły ulec obluzowaniu lub uszkodzeniu podczas transportu.
- Napęlnić filtr wodą mniej więcej do połowy.
- Wsypać piasek, uważając, aby najpierw wsypać warstwę podłoża w wysokości niewiele ponad otwór z ramionami zbierającymi lub koszami ssawnymi, aż do pokrycia kolektora około 10 cm warstwą. Czynność tę należy wykonać bardzo ostrożnie, aby nie uszkodzić wewnętrznych komponentów filtra. Podczas wypełniania filtra piaskiem, należy rozłożyć piasek na całej powierzchni filtra.
- Wsypać piasek odpowiedniej grubości do maksymalnej wysokości filtrowania.
- Przed przystąpieniem do montażu wyczyścić dokładnie powierzchnię wlotu filtra, uszczelkę i pokrywę.
- Zamknąć filtr umieszczając uszczelkę w prawidłowej pozycji.
- Po napęlnieniu i odpowiednim zamknięciu filtra, należy przystąpić do jego czyszczenia. W tym celu należy postępować zgodnie z punktem o czyszczeniu filtra.

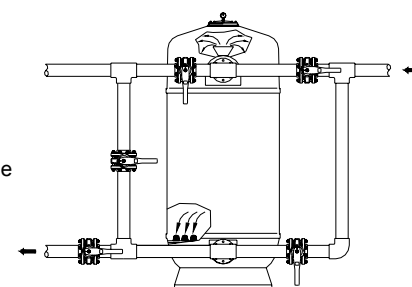
7. NORMALNY CYKL PRACY

7.1 FILTROWANIE (Rys. 4)

Przy wyłączonej pompie ustawić zawory w pozycji filtrowanie, ukazanej w tabeli.

Podczas działania filtra zaleca się co jakiś czas sprawdzać manometr i oczyścić filtr kiedy różnica w ciśnieniu będzie wynosiła lub przewyższała 0,8 kg/cm²

W miarę zanieczyszczenia się przy użytkowaniu warstwy filtracyjnej, ciśnienie na wejściowym rośnie, a ciśnienie robocze na wyjściowym ulega obniżeniu.



Rys. 4

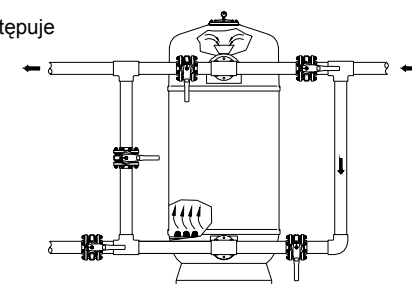
7.2 CZYSZCZENIE (Rys. 5)

Wsypany piasek (warstwa filtracyjna) tworzy tysiące kanalików, którymi przepływa woda i gdzie oczywiście następuje osadzanie się zanieczyszczeń i cząsteczek stałych obecnych w wodzie przeznaczonej do filtracji. Z czasem te zanieczyszczenia blokują kanaliki, którymi przepływa woda i z tego powodu konieczne jest okresowe czyszczenie filtra, aby zapewnić jego optymalną wydajność, oraz odprowadzenie do ścieku zanieczyszczeń znajdujących się na warstwie filtracyjnej.

Zalecamy czyścić wodą przez 7 minut przy prędkości 40-50 m³/godz/m².

Radzimy umieścić na rurociągu ściekowym wizjer – w ten sposób podczas czyszczenia można będzie obserwować zanieczyszczenia wody pochodzące z filtra i określić czas trwania czyszczenia.

Przy czyszczeniu POMPA MUSI BYĆ WYŁĄCZONA, a zawory ustawione w pozycji wskazanej w tabeli.



Rys. 5

7.2.1 CZYSZCZENIE POWIETRZEM I WODĄ (TYLKO DLA FILTRÓW Z KOSZAMI SSAWNYMI LUB PODWÓJNYM KOLEKTOREM)

Powietrze stosuje się w celu przemieszczenia warstwy i uporozowania warunków jej wrzenia. Dzięki temu chcemy osiągnąć lepszy efekt czyszczenia w krótszym czasie, zaoszczędzając przy tym w dużej mierze wodę.

Czynność tę wykonujemy w trzech etapach:

1. Wtrysk powietrza z prędkością około 60 m/godz.
2. Wtrysk wody z prędkością około 50 m/godz.
3. Wtrysk wody i powietrza z prędkością nie przewyższającą 50 m/godz.

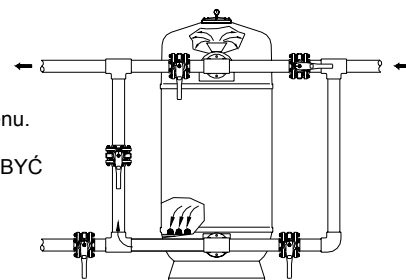
7.3 PŁUKANIE (Rys. 6)

Zaleca się przeprowadzenie płukania zaraz po CZYSZCZENIU, które ma za zadanie usunąć do ścieku resztki osadu, jaki mógł dostać się do kolektorów podczas czyszczenia filtru.

Czynność tę wykonujemy przez około 3 minut – unikniemy w ten sposób przedostania się mętnej wody do basenu.

W celu wykonania tej czynności należy ustawić zawory w pozycji wskazanej w tabeli (POMPA ZAWSZE MUSI BYĆ WYŁĄCZONA) i zaraz przejść do pozycji filtrowania.

Płukanie może być przeprowadzone wyłącznie w zespołach 5-zaworowych.

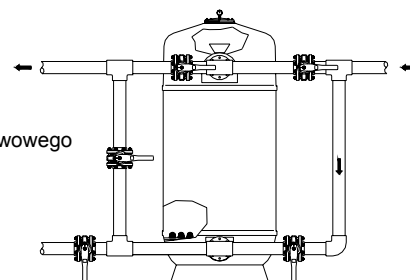


Rys. 6

7.4 OPRÓŻNIANIE (Rys. 7)

W przypadku zaistnienia konieczności opróżnienia basenu i jeżeli basen nie posiada kratki ściekowej na dnie podłączonej bezpośrednio do kanalizacji, można przeprowadzić opróżnianie za pomocą pompy filtru, ustawiając zawory w pozycji ukazanej w tabeli w punkcie „opróżnianie”.

W związku z tym przed włączeniem opróżniania należy zamknąć zawory zgarniaczy (skimmers), kanału przelewowego i czyszczenia dna.



Rys. 7

7.5 ZAMYKANIE

Zgodnie z powyższym wszystkie zawory zespołu są zamknięte.

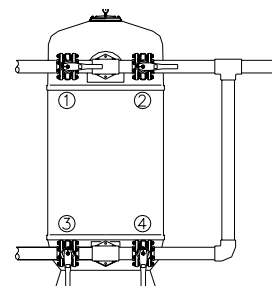
Zamykanie stosuje się przy konserwacji filtru, czyszczeniu filtru wstępnego itp.

8. ZESPOŁY ZAWORÓW. ICH POZYCJA PODCZAS WYKONYWANIA WYŻEJ WYMIENIONYCH CZYNNOŚCI

8.1 ZESPOŁY 4-ZAWOROWE

Tabela wykazu czynności dla zespołów 4-zaworowych:

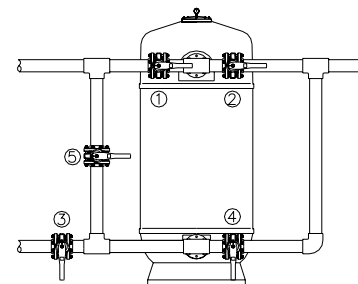
POZYCJA	1	2	3	4
FILTROWANIE	ZAMKNIĘTY	OTWARTY	OTWARTY	ZAMKNIĘTY
OCZYSZCZANIE	OTWARTY	ZAMKNIĘTY	ZAMKNIĘTY	OTWARTY
OPRÓŻNIANIE	OTWARTY	OTWARTY	ZAMKNIĘTY	ZAMKNIĘTY
ZAMYKANIE	ZAMKNIĘTY	ZAMKNIĘTY	ZAMKNIĘTY	ZAMKNIĘTY



8.2 ZESPOŁY 5-ZAWOROWE

Tabela wykazu czynności dla zespołów 5-zaworowych:

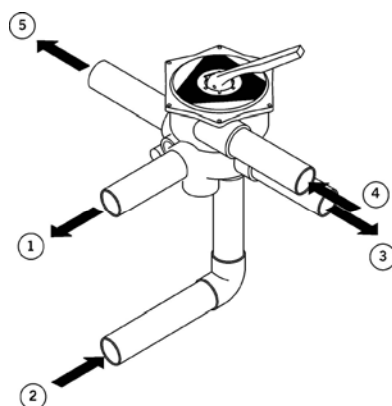
POZYCJA	1	2	3	4	5
FILTROWANIE	ZAMKNIĘTY	OTWARTY	OTWARTY	ZAMKNIĘTY	ZAMKNIĘTY
OCZYSZCZANIE	OTWARTY	ZAMKNIĘTY	ZAMKNIĘTY	OTWARTY	ZAMKNIĘTY
PŁUKANIE	ZAMKNIĘTY	OTWARTY	ZAMKNIĘTY	ZAMKNIĘTY	OTWARTY
OPRÓŻNIANIE	OTWARTY	OTWARTY	ZAMKNIĘTY	ZAMKNIĘTY	ZAMKNIĘTY
ZAMYKANIE	ZAMKNIĘTY	ZAMKNIĘTY	ZAMKNIĘTY	ZAMKNIĘTY	ZAMKNIĘTY



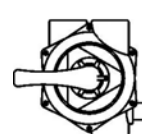
UWAGA: Przy wykonywaniu jakiegokolwiek czynności opisanej w tabeli silnik pompy musi być wyłączony.

8.3 ZAWÓR WIELODROGOWY

Różne funkcje zaworu są realizowane w zależności od ustawienia dźwigni tak jak to poniżej przedstawiono:



1. Wlot wody do filtra
2. Wylot wody z filtra
3. Powrót do basenu z cyrkulacją przez filt
4. Od pompy
5. Do kanalizacji



FILTROWANIE



OPRÓŻNIANIE



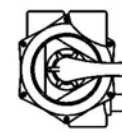
ZAMYKANIE



PŁUKANIE



RECYKULACJA



CZYSZCZENIE

UWAGA: Zmiana pozycji ustawienia zaworu nie może być przeprowadzana podczas pracy pompy.

9. OPRÓŻNIANIE FILTRU Z PIASKU

Podczas opróżniania filtra z piasku w przypadku wystąpienia awarii lub w celu wymiany piasku z powodu jego zużycia, należy postępować w następujący sposób:

1. Opróżnić filtr z wody.
2. Opróżnić filtr z piasku.
3. Przy powtórny napelnianiu filtra piaskiem należy postępować zgodnie z instrukcją URUCHAMIANIE.

Przy okazji opróżniania z piasku powinno się sprawdzić wszystkie komponenty wewnątrz filtra, przede wszystkim kolektor, i wymienić te, które uległy uszkodzeniu.

10. INNE ZALECENIA

Instalacja wewnętrzna, ilość kolektorów i dyfuzorów są uzależnione od wielkości i rodzaju filtra. Rola dyfuzorów polega na jak najbardziej równomiernym rozproszaniu wody na warstwie filtracyjnej. Rola kolektorów polega na zbieraniu uprzednio przefiltrowanej wody i doprowadzenie jej do ujścia filtra.

Każdy filtr zaopatrzone jest w ręczne odpowietrzanie zainstalowane w górnej jego części. Również wszystkie filtry posiadają ręczne odwadnianie zainstalowane w dolnej części.

Po zakończonym montażu basenu zaleca się dobrze oczyścić filtr wodą pod ciśnieniem, w celu usunięcia kurzu lub zanieczyszczeń powstałych podczas prac budowlanych lub montażowych.

W przypadku długotrwałego przestoju w montażu zaleca się opróżnienie filtra z wody.

Filtry usytuowane na zewnątrz mogą tracić intensywność koloru powłoki zewnętrznej na skutek bezpośredniego oddziaływania promieni słonecznych. Z tego też względu zaleca się ustawianie ich w miejscach osłoniętych.

11. KONSERWACJA

Przy konserwacji basenu konieczne jest regularne i dokładne czyszczenie, które zaoszczędzi pracy, wpłynie na większą trwałość sprzętu i lepszą jakość wody.

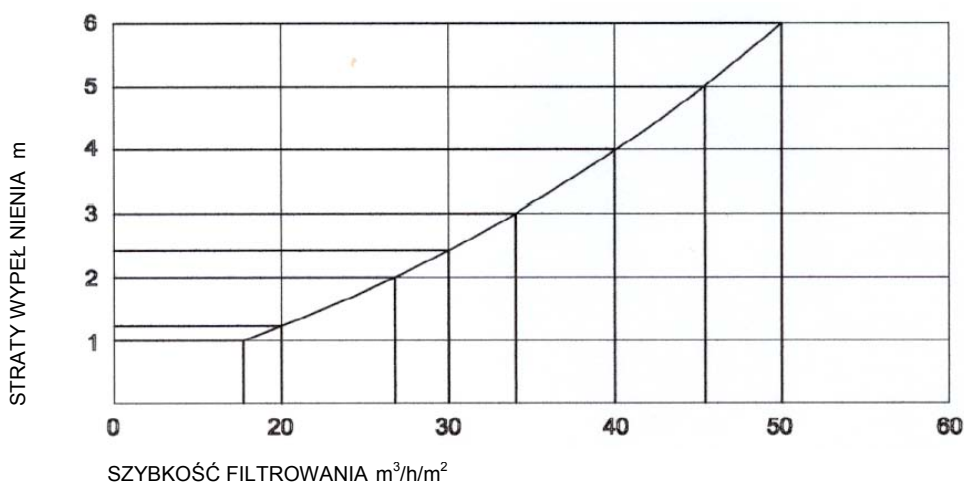
Należy przeprowadzać prawidłową konserwację sprzętu filtrującego (pomp, zaworów itp.) zgodnie z zaleceniami producenta.

Okresowo należy sprawdzać środowisko filtrujące i wszystkie komponenty filtra (dyfuzory, ramiona zbierające, odwadnianie i odpowietrzanie, przewody, uszczelki itp.) włącznie z poliestrową obudową, wymieniając lub naprawiając uszkodzone elementy.

Okresowo należy czyścić filtr wodą pod ciśnieniem w celu usunięcia zgromadzonego w nim z czasem kurzu. Nie należy używać rozpuszczalników, które mogą uszkodzić części z plastiku lub wizjer.

Jeżeli basen jest zamykany na zimę, trzeba odpowiednio opróżnić cały sprzęt, aby uniknąć uszkodzeń spowodowanych przez lód.

12. TABELA STRAT WYPEŁNIENIA FILTRÓW Z PIASKIEM I ZESPÓŁU ZAWORÓW



13. UWAGI W ZAKRESIE BEZPIECZEŃSTWA

Zawory można manipulować tylko przy wyłączonej pompie.

Nie należy podłączać filtra bezpośrednio do sieci wody pitnej, gdyż może mieć ona wysokie ciśnienie i przekraczać maksymalne dozwolone ciśnienie robocze filtra.

Należy pamiętać o znaczeniu podpór do zaworów w celu uniknięcia pęknięć połączeń filtra.

Filtry zgodnie ze swym przeznaczeniem są bardzo odporne na ciśnienie wewnętrzne, ale są mało odporne na uderzenia z zewnątrz.

Jeżeli instalacja składa się z więcej niż jednego filtra, zamontowanego w tym samym zespole, należy umieścić zawór na każdym połączeniu w celu uzyskania całkowitego odizolowania filtra.

W żadnym przypadku nie wolno przekraczać maksymalnego dozwolonego ciśnienia roboczego, wskazanego na płycie informacyjnej filtra.

Filtry nie są zaprojektowane na pracę w warunkach wewnętrznego podciśnienia, dlatego też należy unikać takich sytuacji.

14. NAJCZĘŚCIEJ WYSTĘPUJĄCE AWARIE

PROBLEM	PRZYCZYNA	ROZWIĄZANIE
Brak natężenia przepływu odfiltrowanej wody	Filtr jest zanieczyszczony Koszyczek wylapujący włosy jest zatkany	Przystąpić do czyszczenia Wyczyścić koszyczek wylapujący włosy
Na warstwie filtracyjnej widoczne są ślady	Tworzenie się kanalików głównych, brak czystości lub wada w kolektorze	Przystąpić do czyszczenia Wysypać piasek i sprawdzić czy nie ma pęknięcia w kolektorach oraz wymienić piasek
Manometr gwałtownie drga	Pompa zasysa powietrze Zasysanie półzamknięte	Sprawdzić całą instalację i usunąć występujące nieszczelności Sprawdzić czy zawory ssące są całkowicie otwarte
Do basenu przedostaje się piasek z filtru	Występuje pęknięcie w systemie kolektora	Naprawić system kolektora
Przy czyszczeniu piasek wydostaje się do ścieku	Zbyt duże natężenie przepływu wody czyszczącej	Zmniejszyć natężenie przepływu wody czyszczącej



model. 04975E013

- WE RESERVE THE RIGHT TO CHANGE ALL OR PART OF THE FEATURES OF THE ARTICLES OR CONTENTS OF THIS DOCUMENT, WITHOUT PRIOR NOTICE.
- NOUS NOUS RÉSERVONS LE DROIT DE MODIFIER TOTALEMENT OU EN PARTIE LES CARACTÉRISTIQUES DE NOS ARTICLES OU LE CONTENU DE CE DOCUMENT SANS PRÉ-AVIS.
- NOS RESERVAMOS EL DERECHO DE CAMBIAR TOTAL O PARCIALMENTE LAS CARACTERÍSTICAS DE NUESTROS ARTÍCULOS O CONTENIDO DE ESTE DOCUMENTO SIN PREVIO AVISO.
- CI RISERVIAMO IL DIRITTO DI CAMBIARE TOTALMENTE O PARZIALMENTE LE CARATTERISTICHE TECNICHE DEI NOSTRI PRODOTTI ED IL CONTENUTO DI QUESTO DOCUMENTO SENZA NESSUN PREAVVISO.
- WIR BEHALTEN UNS DAS RECHT VOR DIE EIGENSCHAFTEN UNSERER PRODUKTE ODER DEN INHALT DIESES PROSPEKTES TEILWEISE ODER VOLLSTÄNDIG, OHNE VORHERIGE BENACHRICHTIGUNG ZU ÄNDERN
- RESERVAMO-NOS NO DIREITO DE ALTERAR, TOTAL OU PARCIALMENTE AS CARACTERÍSTICAS DOS NOSSOS ARTIGOS OU O CONTEÚDO DESTE DOCUMENTO SEM AVISO PRÉVIO.
- ZASTRZEGAMY SOBIE PRAWO DO CZĘŚCIOWEJ LUB CAŁKOWITEJ ZMIANY BEZ UPRZEDZENIA WŁĄCZLIWOCĘCI NASZYCH WYROBÓW LUB ZAWARTOŚCI TEGO DOKUMENTU.