

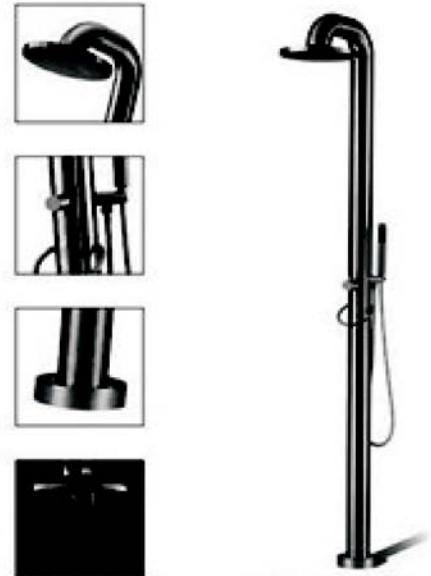
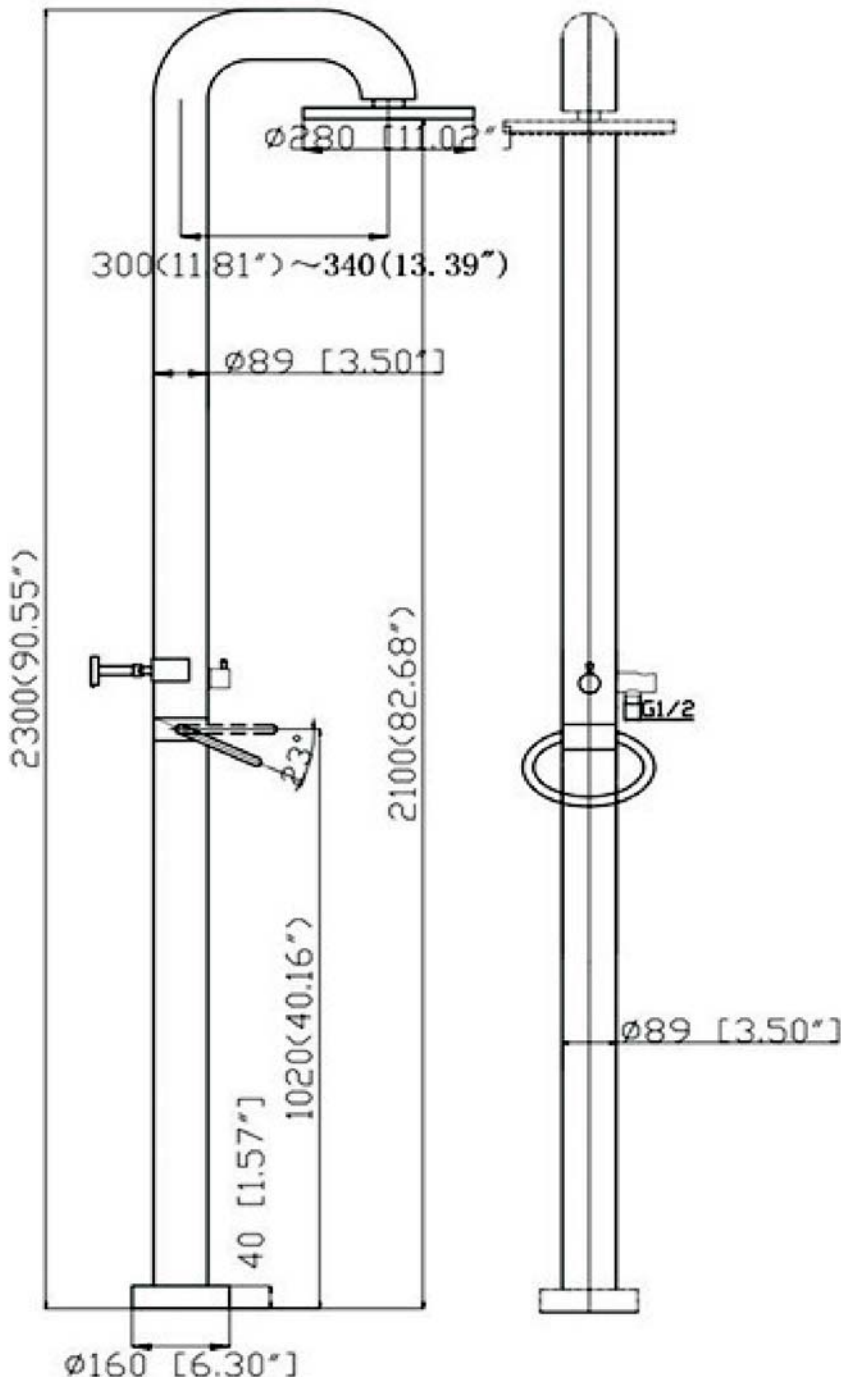
Maßskizze

Produktgruppe: **Design Kalt-Warmwasser Gartendusche**

Fabrikat: **Delfin**

Type/Modell: **Santorin mini**

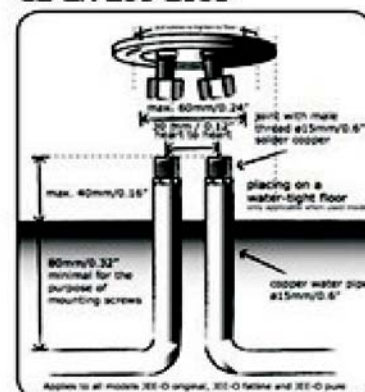
Delfin[®]
WASSERWELT



Article code : geb/400-6460
 Article code : pol/400-6465
 Cartridge : Sedal mixer
 Material : Stainless Steel r304
 Connection : nylon^(out)/epdm⁽ⁱⁿ⁾
 flexhose with brass swivel
 Flow at water of 38 °C /100.4 °F
 12l / 3.2gal p/m at 3bar presure
 Dimension package :
 L 158 x W 18 W 54 x H 21 cm
 L 62,2 x W 7,1 W 21,3 x H 8,3"
 Weight : 17.6 kg / 38,80 lbs
 Package weight : 2,0kg / 4.40lbs

Placing on a water-tight floor
 2 year warranty

HS code: 84818011900
 CE-EN 200-2008



IEE-O d.d. september 2014