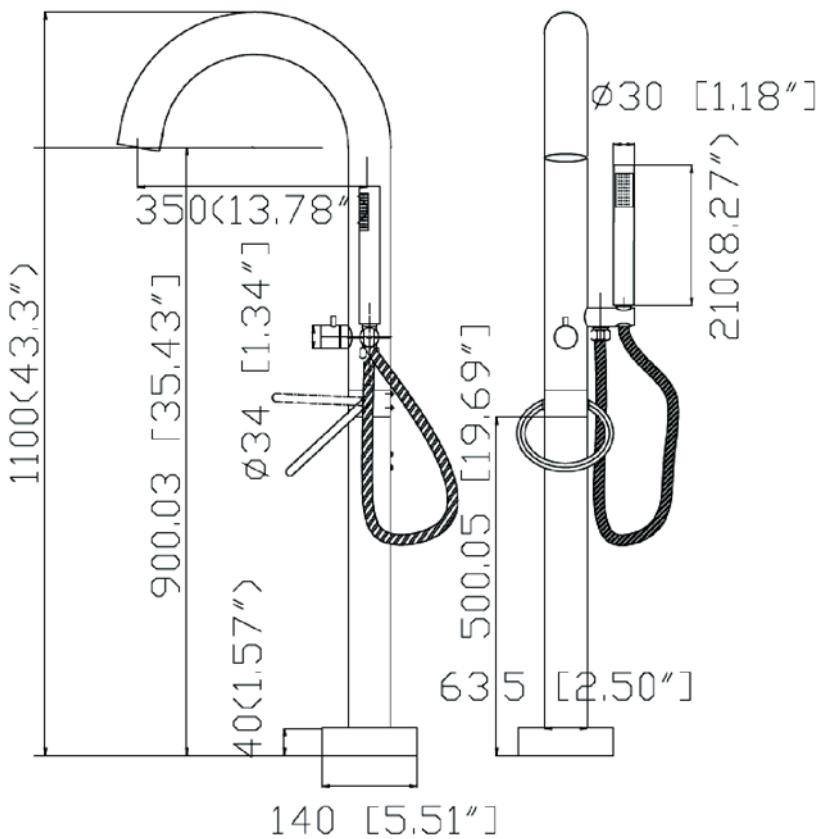


Maßskizze

Produktgruppe: **Design Kalt-Warmwasser Gartendusche**

Fabrikat: **Delfin**

Type/Modell: **Santorin mini**



Article code : geb/400-2050
 Article code : pol/400-2055
 Cartridge : Sedal mixer
 Material : Stainless Steel r304
 Connection : nylon^(out)/epdm⁽ⁱⁿ⁾
 flexhose with brass swivel
 Length of flexhose 150 cm
 Flow at water of 38°C /100.4° F
 10l /2.6gal p/m at 3bar presure
 Dimension package :
 L 68 x W 53 x H 21 cm
 L 26.8 x W 20.9 x H 8.3"
 Weight : 10.0 kg /22.05lbs
 Package weight : 1,5kg /3.31lbs
 Placing on a water-tight floor
 2 year warranty
 HS code: 84818011900
 CE-EN 200-2008

